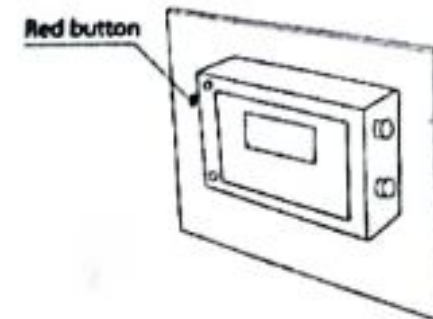


ELECTRONIC SAFE

OPERATING INSTRUCTION MANUAL

1-TO PROGRAM AND CHANGE THE USER CODE

- a. First open the door of your safe, without turning the rotary knob. Remove the battery compartment cover on the back of the door and place the batteries (4x1.5 batteries type AA) into the battery holder correctly (Batteries included inside the safe) .
- b. Press the red button behind the door while the door is open. the yellow light will come on and give a short beep, please input the user code from 3-8 digits using any number from "0" to "9" within 30 seconds, then press "E" to confirm it.
- c. To change the user code, please repeat the same procedures as above.



2-TO OPEN THE SAFE

Input the user code you programmed, then press "E", the green light will come on. Please turn the knob within 5 seconds and pull out to open the safe. If the wrong digit is input, you can press "C" to cancel it.

Note: Each number pressed will make the yellow light flash with a short beep, indicating that the micro processor confirmed it. If the yellow light keeps on flashing with the beep it means the code is wrong. Three times wrong code will result in the micro processor refusing to accept the input for 20 seconds. if the wrong code is entered three times again the micro processor will refuse to accept any code for 5 minutes.

3-TO CLOSE THE SAFE

Close the door and turn the knob anti-clockwise to lock the safe.