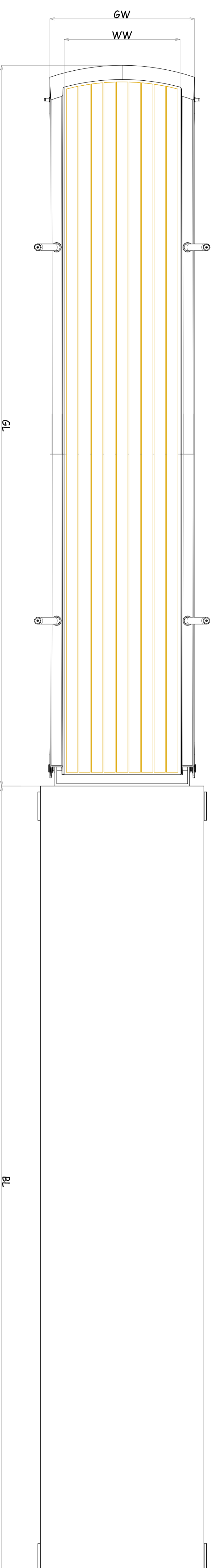
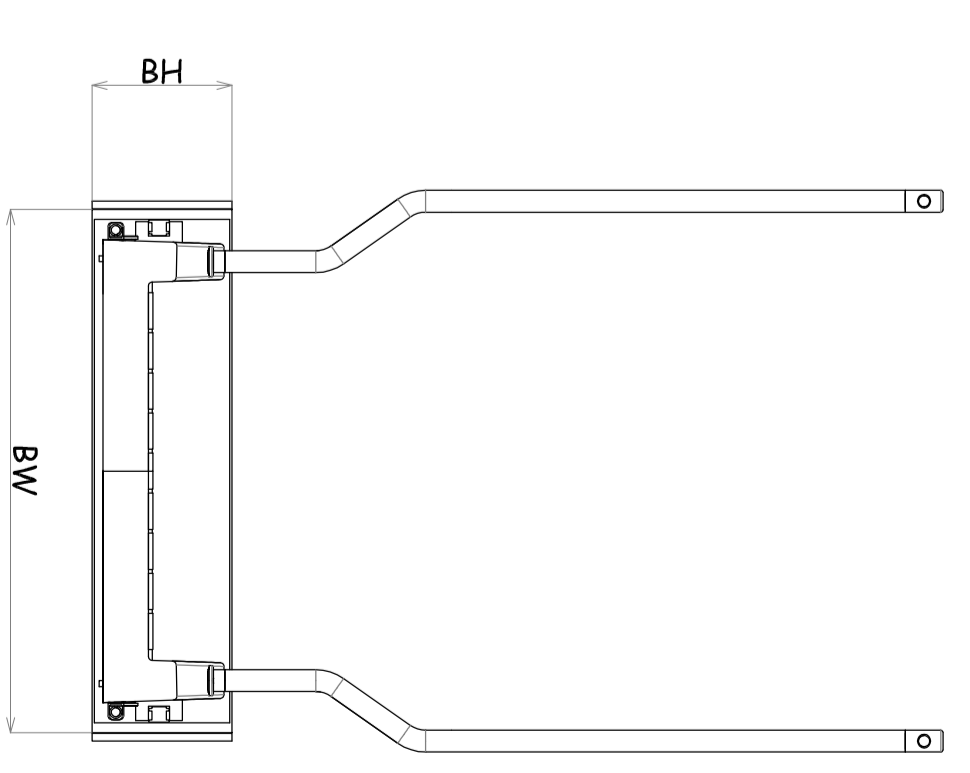
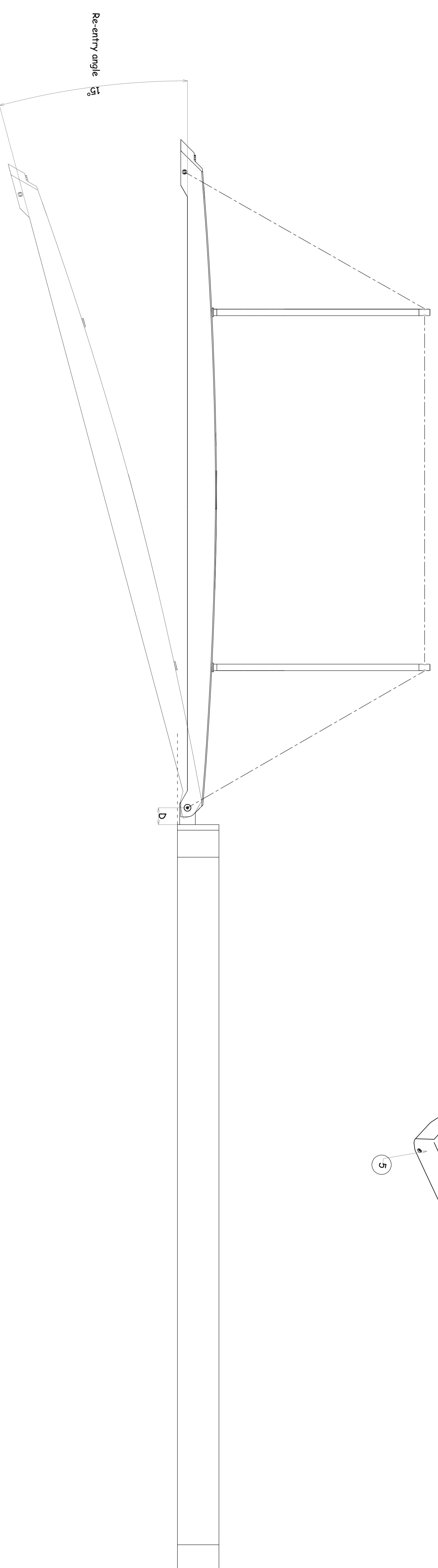
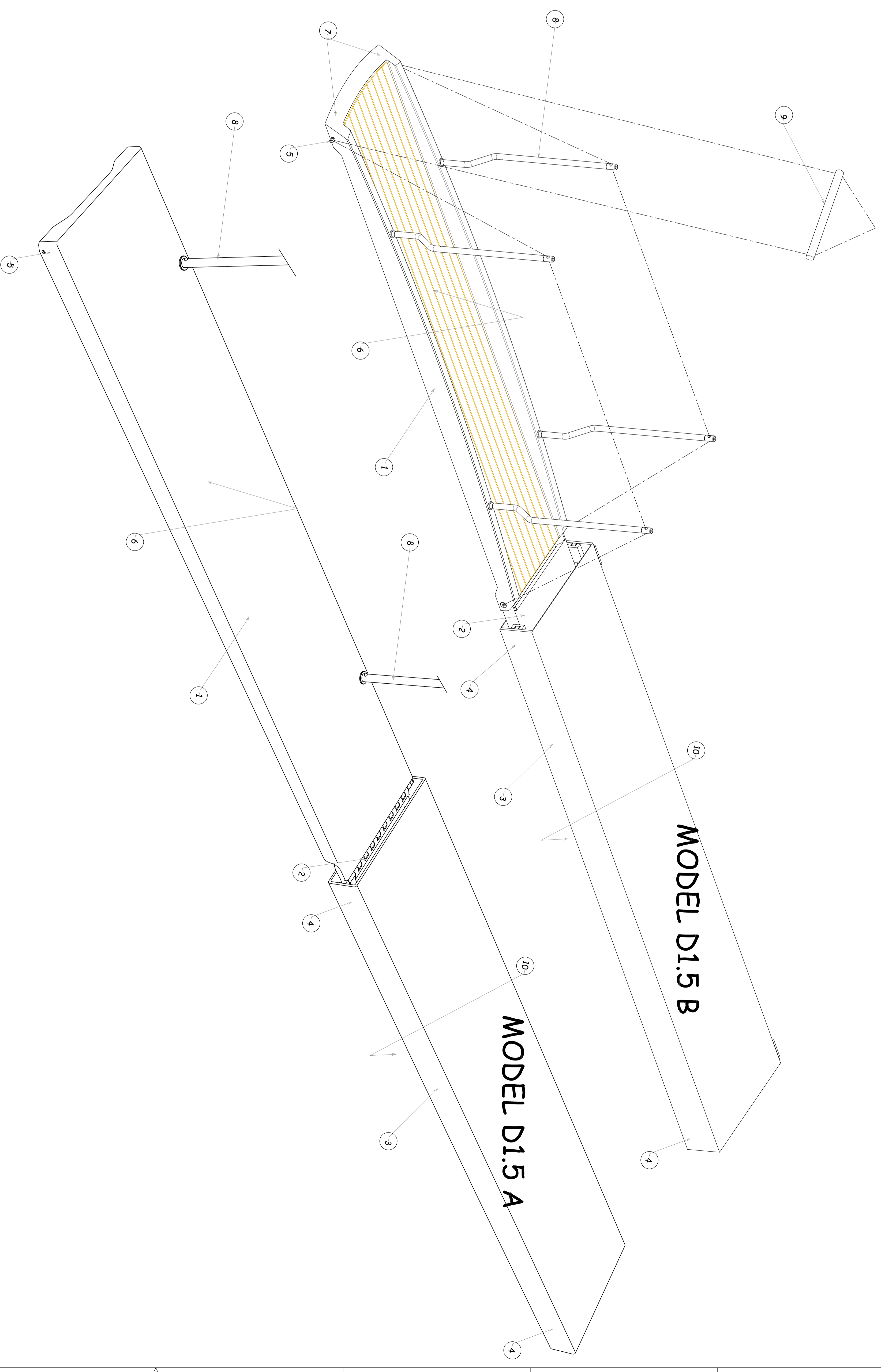



ID	DESCRIPTION	MATERIAL	FINISHING	NOTE
1	Gangway Element	Carbon/Epoxy	Shiny C-LOOK	Other color available in demand
2	Sliding Car	Carbon/Epoxy	Shiny C-LOOK	Other color available in demand
3	Housing Box	Carbon/Epoxy	Black matt painted	Other color available in demand
4	Connection reinforcement	Carbon/Epoxy	Black matt painted	Other color available in demand
5	End padeye	Stainless steel A1S1 316	Shiny polished	Teak Plank ON DEMAND
6	Walkway coverage	No-skid paint	Same of the rest	ON DEMAND
7	Head Lights	1led spot light, 24V		Other color available in demand
8	Stanchions	Carbon/Epoxy	Shiny C-LOOK	Other color available in demand
9	Spacer	Carbon/Epoxy	Shiny C-LOOK	Other color available in demand
10	Pull IN/OUT line	Spectra 8mm	Black cloth	

Folding Angle	+45°
Re-entry angle	0°/-10°
Safety working load	200Kg

MODEL	D1.5 A1	D1.5 A2	D1.5 A3	D1.5 A4	D1.5 B1	D1.5 B2	D1.5 B3	D1.5 B4
BH - box height [mm]	135	135	135	135	185	185	185	185
BW - box width [mm]	450	450	630	630	590	590	690	690
BL - box length [mm]	2350	2850	2850	3400	2350	2850	2850	3400
GW - gangway width [mm]	400	400	580	580	510	510	610	610
GL - gangway length [mm]	2000	2500	2500	3050	2000	2500	2500	3050



		Prog: D1.5 Emissione: 2024	
MANUAL SLIDE GANGWAY		Rev1: _____	
Tav: Commercial GA		Rev2: _____	
Disegnatore: D1.5		Rev3: _____	
Disegno n°: D1.5-800.00		Rev4: _____	
E: info@carbonequipment.com		Scala: 1:10 @A0	
PH: +44 (0) 2081 3306 78		Dis: _____	
		Cont: _____	