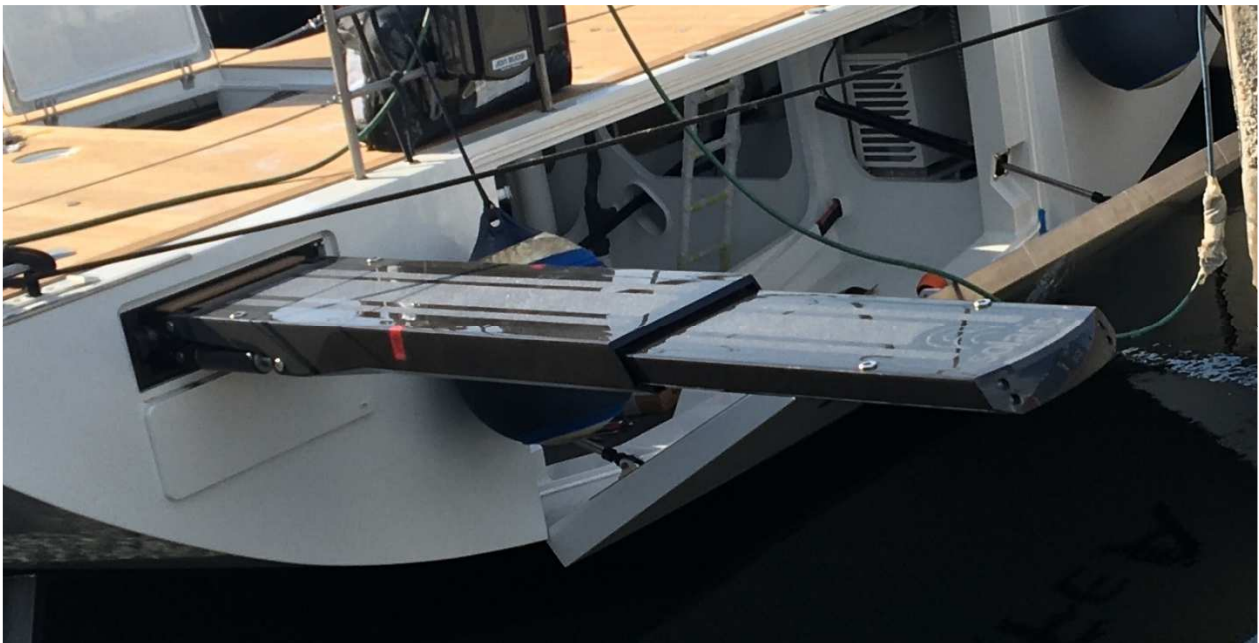


2022

# CARBON EQUIPMENT Ltd SPORT LINE GANGWAY

## *SPORT LINE GANGWAY* *MODEL D2.5 & D2.6* TECHNICAL SPECIFICATION

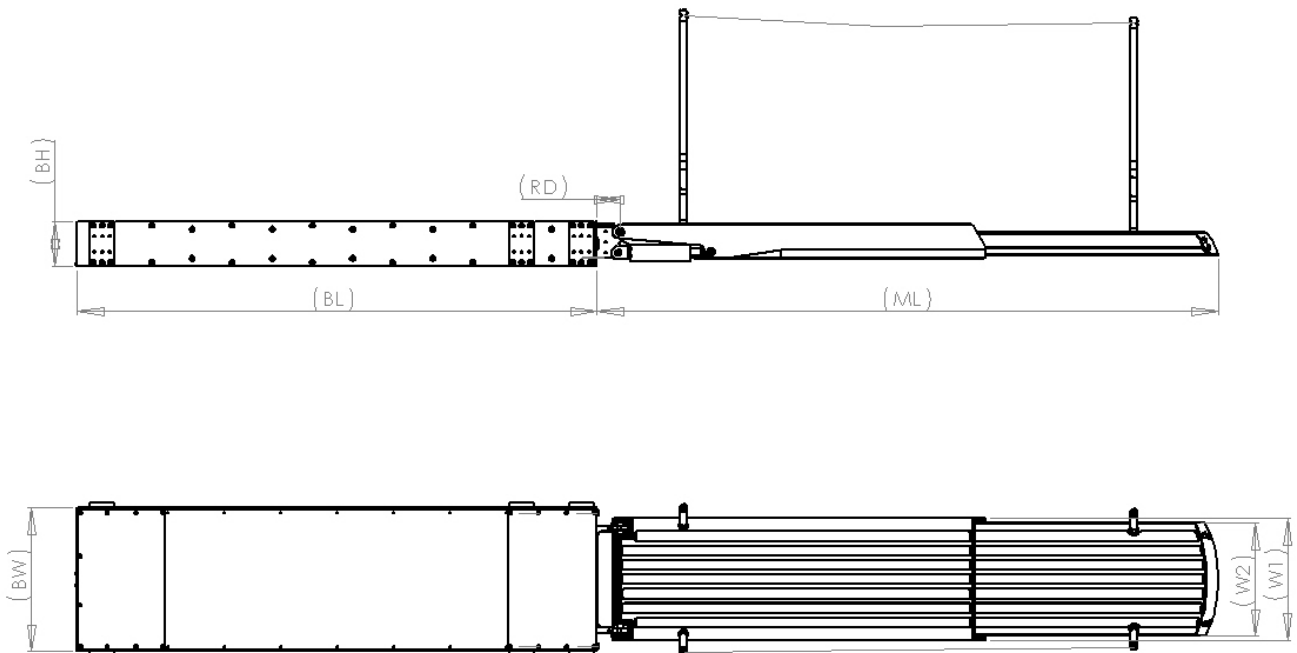


## Table of Contents

MAIN DIMENSIONS & FEATURES.....	2
EQUIPMENT PASSPORT.....	4
GANGWAY CONSTRUCTION.....	5
HOUSING SYSTEM.....	6
UP/DOWN MOVEMENT.....	8
WALKWAY COVERAGE.....	9
HANDRAIL SYSTEM.....	10
LIGHT SYSTEM.....	11
HYDRAULIC SYSTEM.....	12
WARRANTY.....	14

## MAIN DIMENSIONS & FEATURES

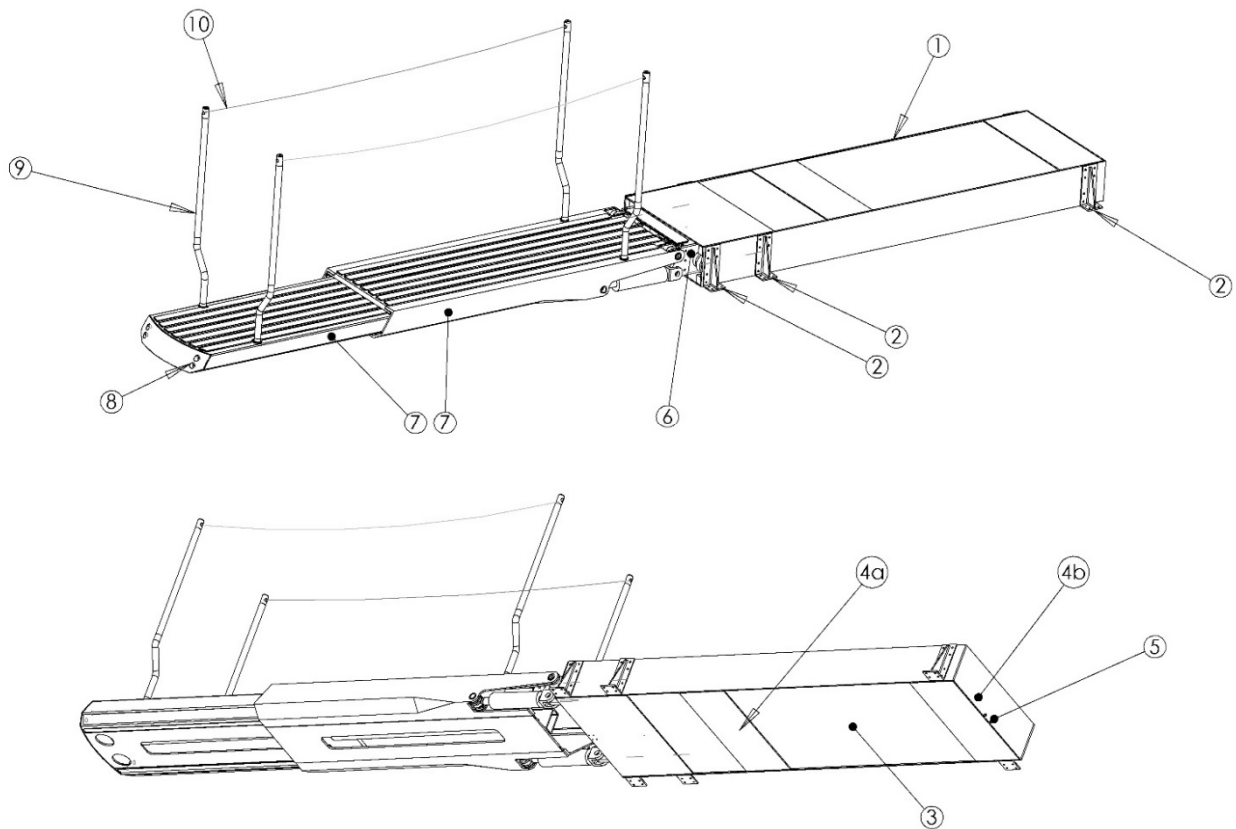
MODEL	D2.5			D2.6		
TYPE	A	B	C	A	B	C
Max extended length <b>ML</b> [mm]	2100	2500	2800	2100	2500	2800
1 <sup>st</sup> element width <b>W1</b> [mm]	450			550		
2 <sup>nd</sup> element width <b>W2</b> [mm]	410			510		
Folding angle <b>FA</b> [degree]	±15°			±15°		
rotation pin distance <b>RD</b> [mm]	100			100		
Box Length <b>BL</b> [mm]	1850	2100	2250	1850	2100	2250
Box width <b>BW</b> [mm]	550			650		
Box height <b>BH</b> [mm]	200			200		
Stanchions	2			4		
Max working load <b>WL</b> [Kg]	150	150	200	150	150	200
Power pack	24V CC			24V CC		



Note:

All dimensions and finishing may be customized following customer request.

ID	Description	Additional notes
1	Housing box	Aluminium, black anodized
2	"L" flanges connection	Aluminium
3	Box inspection hatch	
4a	Hydraulic connection	Standard position – 850mm from aft edge
4b	Hydraulic connection – available option	Box forward face
5	Belt tensioner	
7	Gangway pivoting elements	Carbon made, C-LOOK
8	Light	Nr.4 1LED spot lights
9	Stanchion	Bended stanchions made out of carbon
10	Life line	D=10mm black soft rope



## EQUIPMENT PASSPORT

The gangway is provided with its Passport that is a document that contains construction conformity declaration and gives evidence of the positive outcome of the quality control test performed.

It shows:

- No-destructive test of the laminate
- No-destructive test of the bonding surface carbon/steel (bearing load reinforcement)
- Hydraulic hoses test (each hose is tested separately)
- Hydraulic manifold test
- Load test (1,5 max working load)
- Deflection test (max working load)
- Functionality test
- Handrail test (50kg transversely on top).

Equipment documentation is completed by the USE AND MAINTENANCE MANUAL.

## GANGWAY CONSTRUCTION

Gangway elements construction is carbon fibre & epoxy resin made with pre-preg technology, consolidated under vacuum pressure and cured at high temperature (>90°C).

Structure finishing is Shiny C-LOOK and it's provided with the UV protection.

The transparent paint, thanks to its ceramic property, ensure a very hard feature to gangway surface.

Sliding car is aluminium made and it's black anodized.



*Autoclave consolidation and CNC machining*

## HOUSING SYSTEM

Gangway slide in/out from its box thanks to an hydraulic actuator.

Housing box is aluminium made, black anodized.

A watertight option is available on demand.

Sliding movement may be linked with the door folding system by a mechanic leverage.

This option, available on demand, increase box's length of 100mm.



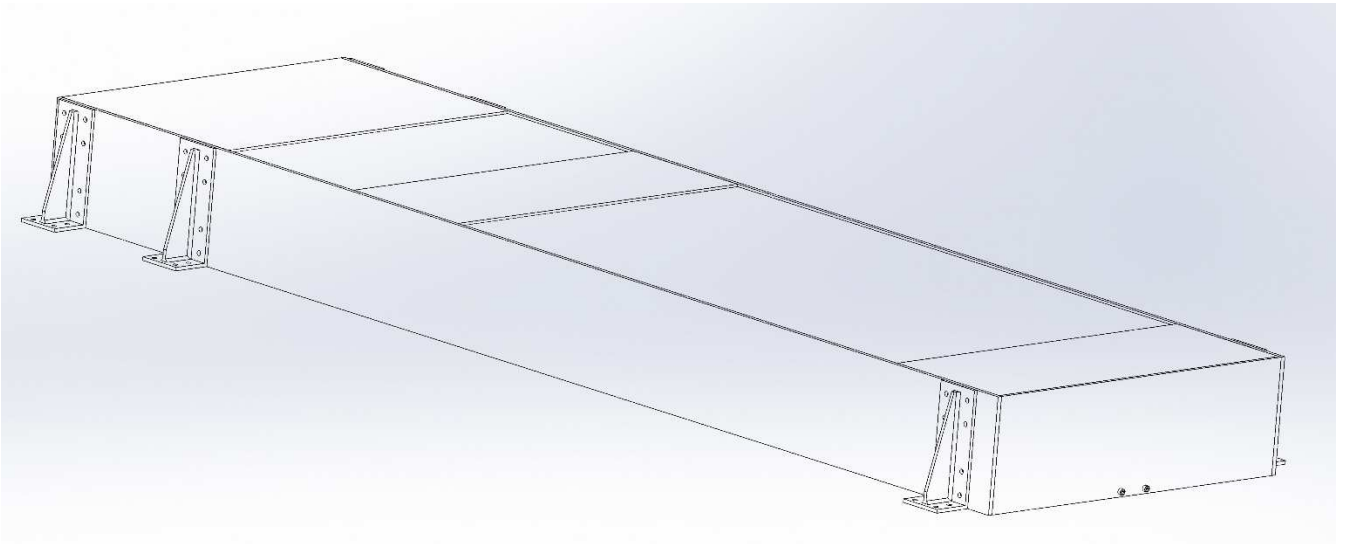
Box is provided with one inspection hatch screwed onto the bottom face.

Different inspection layouts are available on demand.



Box is provided with nr.3 reinforced area on each side where to fix the box to the boat structure.

Connection flanges may be customized following yacht needs.



## UP/DOWN MOVEMENT

Gangway folding movement, up/down of about 15°, is made by nr.2 twin double effect pistons.



Twin pistons allow the gangway to have a ZERO position mechanically tuneable.

It means that also in manual use the ZERO position will be easily reached.

## WALKWAY COVERAGE

Walkway is coated by teak straight plank of 45x6mm spaced of about 20mm.



Different teak design are available on demand.

## HANDRAIL SYSTEM

Basic handrail system is obtained with removable rounded stanchions of a bended shape, made out of carbon.

Stanchions are provided with a lifeline made of a black soft rope (D=8/10mm).

A rigid option is available on demand.



Both solutions are provided with a lock system on each stanchion.

## LIGHT SYSTEM

Gangway is provided with nr.4 spot light placed on the after face.

Light may be switched on/off by the control panel and/or the remote control.



Lights main feature are:

- 10...30 Vcc
- 1 led (white) – 6lux 1m
- 30000h average operating life
- IP67



## HYDRAULIC SYSTEM

Hydraulic system provided is composed by:

- Dedicated power pack 24V/DC provided with back up pump
- E Valve 24DC with manual leverage back up
- Nr.2 double effect TWIN pistons made out of stainless steel AISI 316 (up/down)
- Nr.1 double effect piston made out of stainless steel AISI 316 (sliding element)
- Hydraulic actuator
- Control box
- Control panel with stainless steel bezel (available in C-LOOK)
- Nr.2 remote control



*electric box*



*manifold with valve's backup leverage*



*control panel, steel bezel option*



*control panel, c-look bezel option*

## WARRANTY

Provided warranty is 12months.

Warranty may be extended to 24months and more by following Carbon Equipment service program.

# Carbon Equipment Ltd

1st Floor Offices, 7 Gerard Street, Ashton-in-Makerfield, Wigan,  
WN4 9AG

Registered in England and Wales with n. 0937

E: [info@carbonequipment.com](mailto:info@carbonequipment.com)

P: +44 (0) 20 81 33 06 78