

2021

# CARBON EQUIPMENT Itd GANGWAY

## *SLIDING GANGWAY D3* TECHNICAL SPECIFICATION REL.B



## Table of Contents

|                                 |    |
|---------------------------------|----|
| MAIN DIMENSIONS & FEATURES..... | 2  |
| EQUIPMENT PASSPORT.....         | 4  |
| GANGWAY CONSTRUCTION.....       | 5  |
| HOUSING SYSTEM.....             | 6  |
| UP/DOWN MOVEMENT.....           | 9  |
| WALKWAY COVERAGE.....           | 10 |
| HANDRAIL SYSTEM.....            | 12 |
| LIGHT SYSTEM.....               | 14 |
| ANTI-INTRUSION SYSTEM.....      | 15 |
| CITOFONE.....                   | 16 |
| HYDRAULIC SYSTEM.....           | 17 |
| WARRANTY.....                   | 19 |

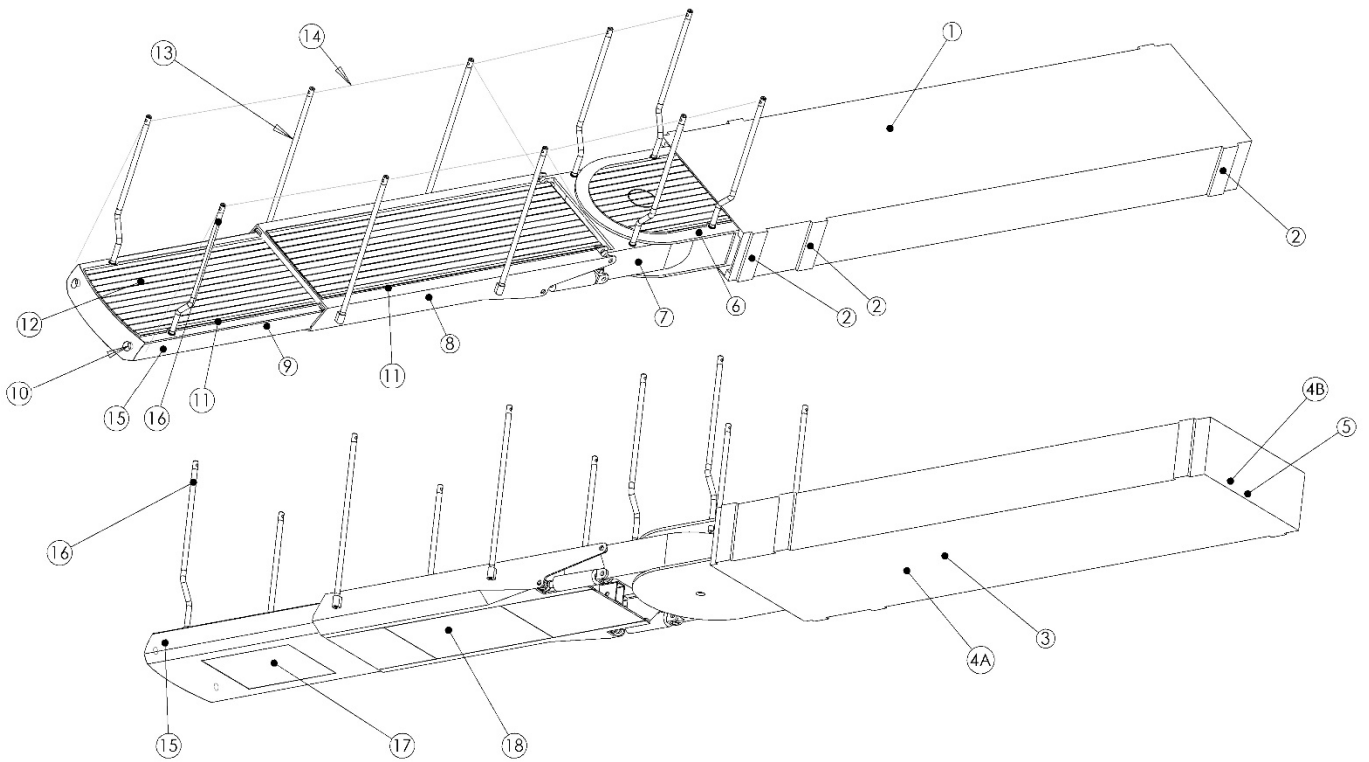
## MAIN DIMENSIONS & FEATURES



| DESCRIPTION                                      | D3.2                    | D3.3                    | D3.4                    |
|--|-------------------------|-------------------------|-------------------------|
| Equipment  | Sliding gangway         | Sliding gangway         | Sliding gangway         |
| Max extended length<br>After edge to folding axe | 4000 mm                 | 5500 mm                 | 7000 mm                 |
| Car length<br>Folding axe to box after edge      | >150 mm<br>Customizable | >150 mm<br>Customizable | >150 mm<br>Customizable |
| 1 <sup>st</sup> element width                    | Box width-200mm         | Box width-250mm         | Box width-250mm         |
| Folding angle (standard value)                   | +15° / -15°             | +15° / -15°             | +15° / -15°             |
| Swivelling option (standard value)               | +45° / -45°             | +45° / -45°             | +45° / -45°             |
| Box Length                                       | Customized              | Customized              | Customized              |
| Box width  | Customized              | Customized              | Customized              |
| Box depth – sliding only option                  | 260 mm                  | 320 mm                  | 400 mm                  |
| Box depth – pivoting option                      | 340 mm                  | 420 mm                  | 520 mm                  |
| Max working load                                 | 200 Kg                  | 200 Kg                  | 200 Kg                  |
| Power pack                                       | 24V CC<br>380V 50Hz     | 380V 50Hz               | 380V 50Hz               |
|  |                         |                         |                         |

Note:

All dimensions and finishing may be customized following customer request.



| ID | Description                             | Additional notes   |
|----|---|--|
| 1  | Housing box                             | Aluminium, black/grey anodized<br>(available carbon made option) |
| 2  | Connection flanges                      | Connection system to be agreed with yacht needs                  |
| 3  | Box inspection hatch                    | Nr.1 or 2 hatches to be agreed                                   |
| 4a | Hydraulic connection                    | Box bottom face ( standard option)                               |
| 4b | Hydraulic connection – available option | Box forward face   |
| 6  | Car                                     | Carbon made  |
| 7  | Platform                                | Carbon made  |
| 8  | 1 <sup>st</sup> Element                 | Carbon made  |
| 9  | 2 <sup>nd</sup> Element                 | Carbon made  |
| 10 | After edge lights                       | Nr.2 7LED light , 10-30V   |
| 11 | Walk way Light                          | Stripe light hidden into teak side                               |
| 12 | Teak coverage                           | 50x8mm teak plank, 50x12mm in way of side                        |
| 13 | Stanchions                              | Removable with safety hook (basic standard)                      |
| 14 | Lifeline                                | 8/10mm black rope (basic standard)                               |
| 15 | Citofone plug                           | Rebated on carbon side (optional)                                |
| 16 | Citofone box                            | Carbon made box (optional)                                       |
| 17 | 2 <sup>nd</sup> element inspection      | Screwed  |
| 18 | 1 <sup>st</sup> element inspection      | Screwed  |

## EQUIPMENT PASSPORT

The gangway is provided with its Passport that is a document that contains construction conformity declaration and gives evidence of the positive outcome of the quality control test performed.

It shows:

- No-destructive test of the laminate
- No-destructive test of the bonding surface carbon/steel (bearing load reinforcement)
- Hydraulic hoses test (each hose is tested separately)
- Hydraulic manifold test
- Load test (1,5 max working load)
- Deflection test (max working load)
- Functionality test
- Handrail test (50kg transversely on top).

Equipment documentation is completed by the USE AND MAINTENANCE MANUAL.

## GANGWAY CONSTRUCTION

Gangway elements construction is carbon fibre & epoxy resin made with pre-preg technology, consolidated under vacuum pressure and cured at high temperature (>90°C).

Structure finishing may be C-LOOK or painted depending on Buyer choice.



*Autoclave consolidation and CNC machining*

## HOUSING SYSTEM

Gangway slide in/out from a fix box thanks to an hydraulic actuator.

Housing box is aluminium made, black/grey anodized.

The box ON DEMAND may be made out of stainless steel or carbon fibre made.

Box standard configuration is NOT watertight. Available the watertight option.

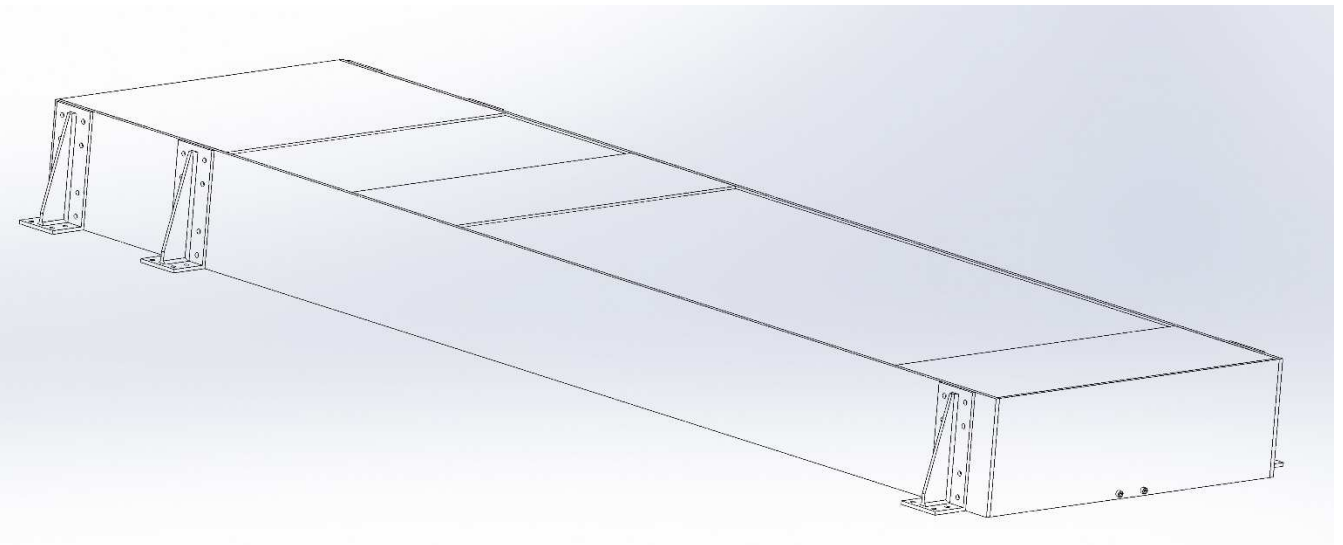


Box is provided with one inspection hatch onto the bottom face.

Box is provided with nr.3/4 reinforced area on each side where to fix box to the yacht structure.



Connection flange's configuration will be customized to better match yacht's needs.



Box door is usually connected to gangway automation by a micro-switch sensor so to block any gangway operation when NOT OPEN.

Box movement itself may be connected linked with the gangway slide-in/out movement by a mechanic or an hydraulic connection.

The hydraulic option is recommended for large transom door and where watertightness is required.



A customized solution will be developed on yacht needs.

## UP/DOWN MOVEMENT

Gangway folding movement, up/down of about 15°, is made by nr.2 twin pistons.



Twin piston allow the gangway to have a mechanic ZERO position that may be manually adjusted.

This feature allow to easily reach the horizontal position in manual mode too.

## WALKWAY COVERAGE

Walkway standard coverage is made by 50(45)x8 mm teak planks.





Different teak design and/or layout may be discussed and valuated.

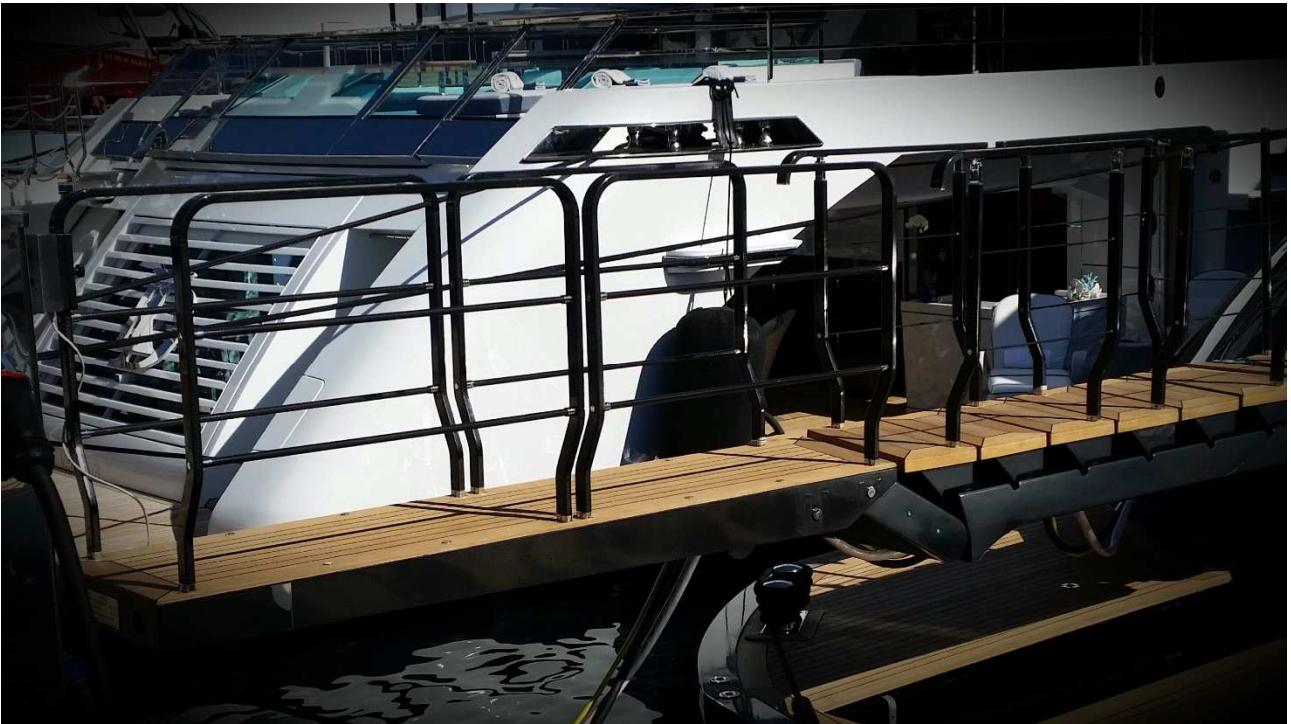
## HANDRAIL SYSTEM

Handrail basic system is composed by:

- Nr.4/6 removable stanchions, made out of carbon fibre, provided with a d=8mm soft rope as lifeline.



Different handrail's option are available on demand.



## LIGHT SYSTEM

Gangway is provided with nr.2/4 spot lights placed on gangway after face .

Lights number, 2 or 4, is due by gangway width.

Spot light features are:

- 10-30 DC
- 7LED, white
- IP67
- 50lux 1m



Gangway may be provided by led stripes too.

With this option, a strip light will be hidden long teak side of 1<sup>st</sup> and 2<sup>nd</sup> element.



Different solution will be evaluated on demand.

## ANTI-INTRUSION SYSTEM

The gangway may be provided with the ANTI-INTURSION SYSTEM.

With this option, the electric box has an additional output that gives a clean signal every time a weight, over a defined value, is applied on the gangway far edge.

Of course, the signal shall be managed by yacht system.

## CITOFONE

Last element may have a recess on the starboard side where to install a multi-pin plug.

Citofone box may follow yacht's interphone needs.



## HYDRAULIC SYSTEM

Hydraulic system provided is composed by:

- E Valve 24DC with manual leverage back up
- needed pistons made out of stainless steel AISI 316
- Control box
- Control panel with stainless steel bezel (available in C-LOOK)
- Nr.2 remote controls (4 buttons) .

A dedicated power pack 380V 50Hz (24V cc), provided with manual back up pump, will be provided where not already present on board.



*Electric box*



*Manifold with valve's backup leverage*



*Control panel, steel bezel option.*



*Control panel, C-LOOK option*

## WARRANTY

Standard warranty is 12 months from delivery date.

For more details read Carbon Equipment warranty conditions.

Warranty may be extended by following Carbon Equipment service program.



# Carbon Equipment Ltd

1st Floor Offices, 7 Gerard Street, Ashton-in-Makerfield, Wigan,  
WN4 9AG

Registered in England and Wales with n. 0937

E: [info@carbonequipment.com](mailto:info@carbonequipment.com)

P: +44 (0) 20 81 33 06 78