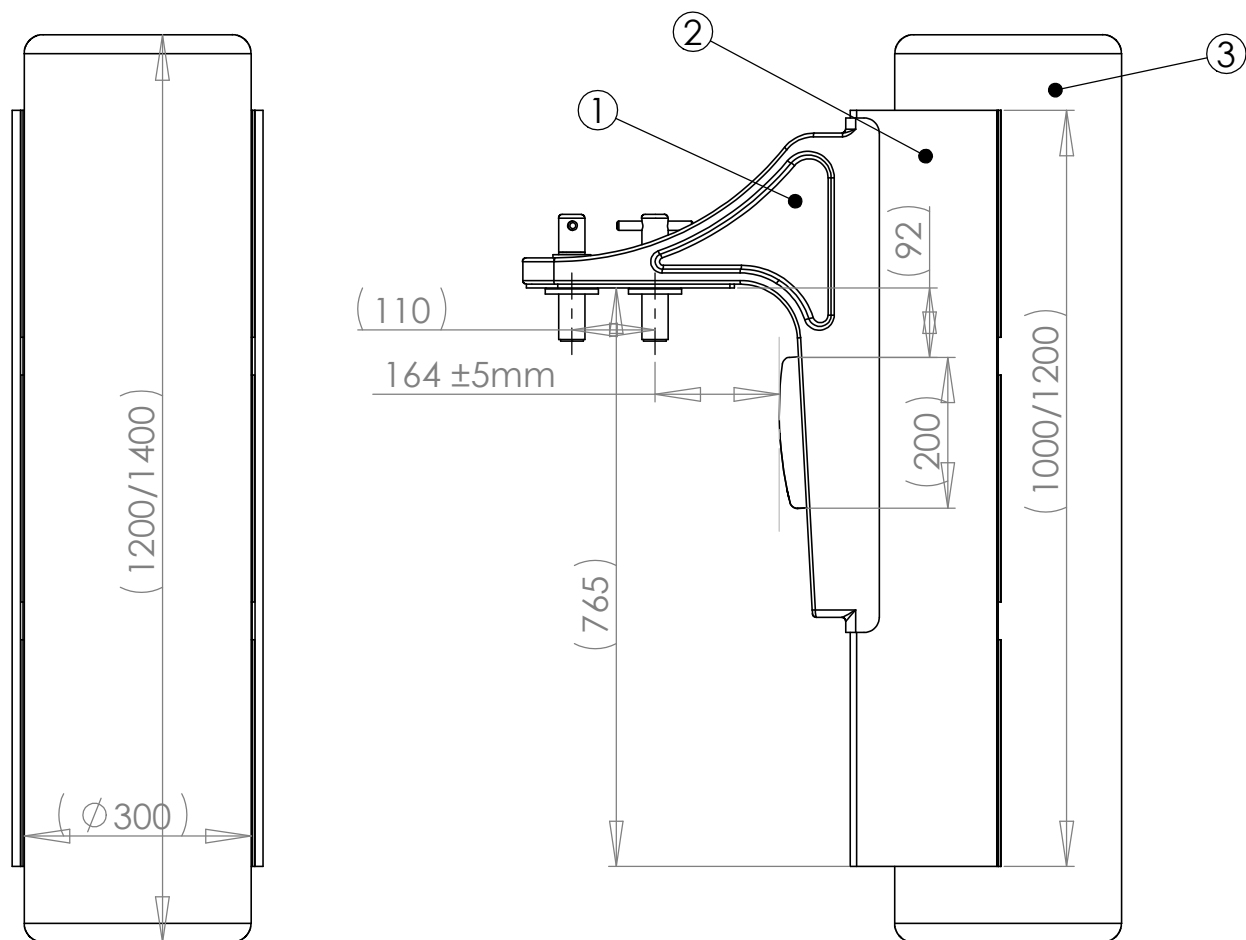
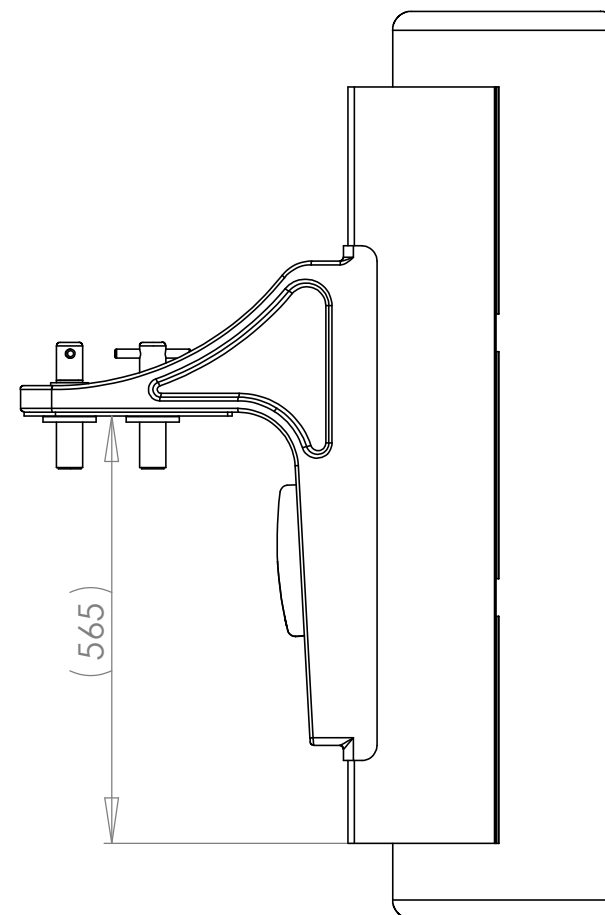


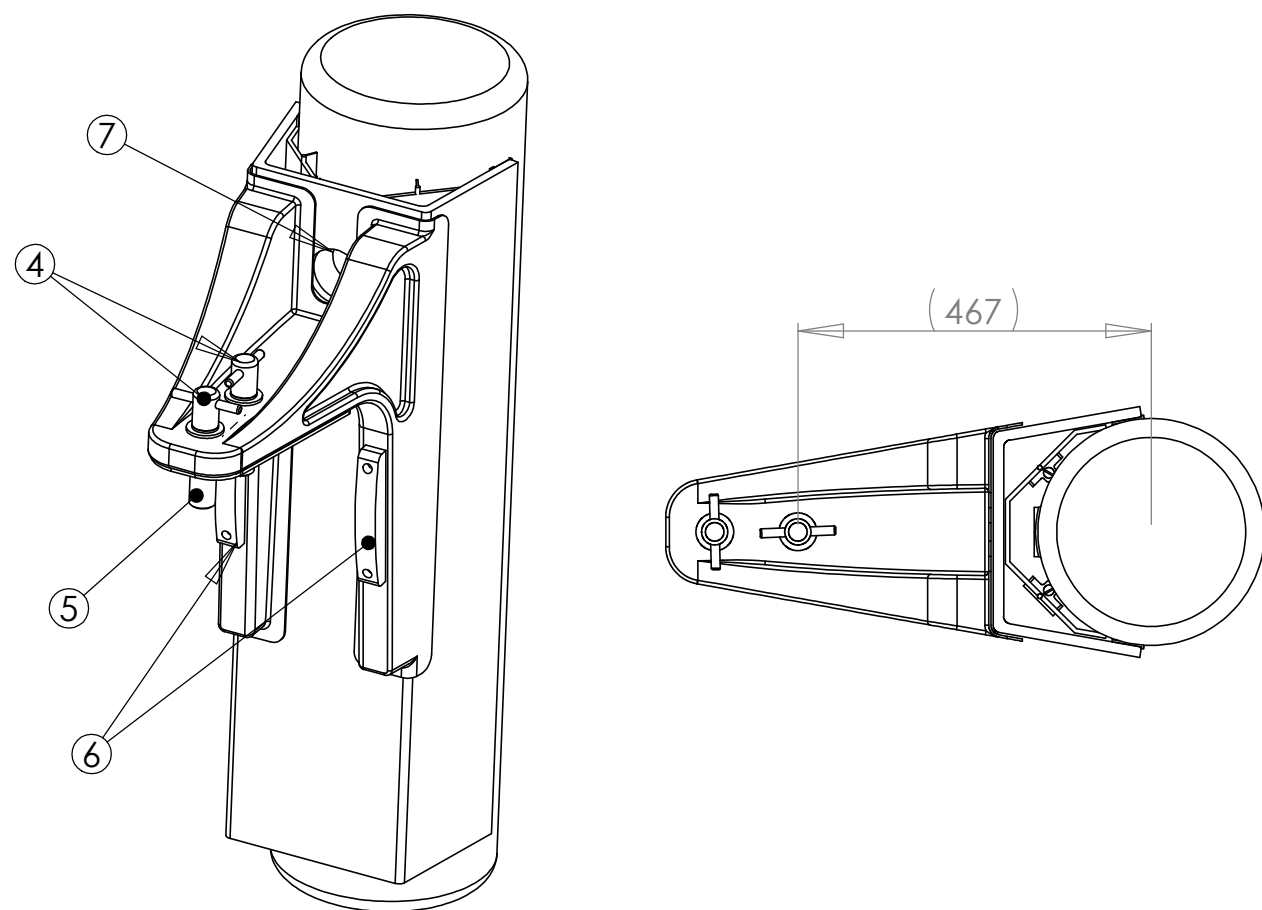
STANDARD CONFIGURATION
STRUCTURE BONDED IN FULL-DOWN POSITION



"UP" CONFIGURATION
STRUCTURE BONDED IN FULL-UP POSITION



NOTE: any position between the indicated limits may be required during order confirmation



| ID | DESCRIPTION | MATERIAL |
|----|-----------------------------|-----------------------------|
| 1 | Connection structure | Carbon.epoxy |
| 2 | hypalone structure | Carbon.epoxy |
| 3 | Inflatable Hypalone | |
| 4 | Threaded pin with "T" cleat | Stainless steel AISI 316 |
| 5 | Deck socket | Stainless steel AISI 316 |
| 6 | Deck protection | Nylon - natural white/black |
| 7 | Hypalone valve | |

| | | | | | | | | | | |
|-----------|--|--------------|--|--|--|-------------------------------|--|--------------|--|---------------|
| FINITURA: | | SHINY C-LOOK | | SBAVATURA E INTERRUZIONE DEI BORDI NETTI | | NON SCALARE IL DISEGNO | | REVISIONE 02 | | |
| | | | | | | CARBON EQUIPMENT Itd | | | | |
| | | | | | | TITOLO: TENDER FENDER Model A | | | | |
| | | | | | | N. DISEGNO | | L2.3A-801.02 | | A3 |
| | | | | | | MATERIALE: CARBON-EPOXY | | SCALA:1:10 | | FOGLIO 1 DI 1 |
| | | | | | | PESO: \$PRPSHEET:{Peso} | | | | |