



PHC-SB Slim Hydro Chuck & Super-Tite Lock Milling Chuck

PHC-SB Mandrini idraulici ultra sottile &
Super-Tite Lock Mandrini forte serraggio

PROMOTION
PROMOZIONE



made by  **NT TOOL**
www.nttooleurope.com

Slim Hydro Chuck | Mandrino idraulici ultra sottile

PHC·SB Series

- Super slim design with 3° contour
runout-accuracy: $< 0,003 / 3xD$
clamping range: 3,0 - 25,0 mm (PHC-SB)
3,0 - 12,0 mm (ST-PHC-SB)
- Design super sottile con 3° di tiraggio
Concentricità: $< 0,003 \text{ mm} / 3xD$
Diam. supporto: 3,0 - 25,0 mm (PHC-SB)
3,0 - 12,0 mm (ST-PHC-SB)



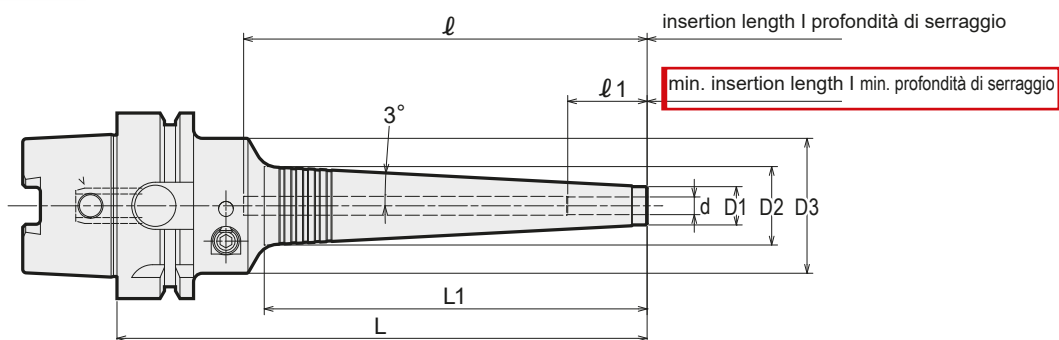
PHC·SB-C BLASTER



Slim Hydro Chuck I Mandrini idraulici ultra sottile



PHC·SB
HSK·A



Caution: strictly keep minimum insertion length l_1
Attenzione: rispettare la profondità minima di serraggio l_1



HS Collets / Pinze P. 11

Code	Holder Mandrino	d	L	L ₁	D ₁	D ₂	D ₃	l	l ₁	HS	Price Prezzo
575075403080	HSK63A -PHC03SB -80	3	80	28	11	14,0	46	58	16		
575075403090	HSK63A -PHC03SB -90	3	90	37	11	14,9	46	68	16		
575075403135	HSK63A -PHC03SB -135	3	135	84	11	19,9	46	113	16		
575075404080	HSK63A -PHC04SB -80	4	80	28	11	14,0	46	58	19		
575075404090	HSK63A -PHC04SB -90	4	90	37	11	14,9	46	68	19		
575075404135	HSK63A -PHC04SB -135	4	135	84	11	19,9	46	113	19		
575075406090	HSK63A -PHC06SB -90	6	90	38	13	17,0	46	53	27		
575075406135	HSK63A -PHC06SB -135	6	135	84	13	21,9	46	92	27		
575075406150	HSK63A -PHC06SB -150	6	150	99	13	23,4	46	107	27		
575075406165	HSK63A -PHC06SB -165	6	165	114	13	25,0	46	122	27		
575075406180	HSK63A -PHC06SB -180	6	180	130	13	26,7	46	137	27		
575075408090	HSK63A -PHC08SB -90	8	90	38	15	19,0	46	53	27		
575075408135	HSK63A -PHC08SB -135	8	135	84	15	23,9	46	92	27		
575075408150	HSK63A -PHC08SB -150	8	150	99	15	25,4	46	107	27		
575075408165	HSK63A -PHC08SB -165	8	165	114	15	27,0	46	122	27		
575075408180	HSK63A -PHC08SB -180	8	180	130	15	28,7	46	137	27		
575075410105	HSK63A -PHC10SB -105	10	105	53	17	22,6	46	67	33		
575075410135	HSK63A -PHC10SB -135	10	135	84	17	25,9	46	92	33		
575075410150	HSK63A -PHC10SB -150	10	150	99	17	27,4	46	107	33		
575075410165	HSK63A -PHC10SB -165	10	165	114	17	29,0	46	122	33		
575075410180	HSK63A -PHC10SB -180	10	180	130	17	30,7	46	137	33		
575075412105	HSK63A -PHC12SB -105	12	105	53	19	24,6	46	67	36	HS12-d	
575075412135	HSK63A -PHC12SB -135	12	135	84	19	27,9	46	92	36	HS12-d	
575075412150	HSK63A -PHC12SB -150	12	150	99	19	29,4	46	107	36	HS12-d	
575075412165	HSK63A -PHC12SB -165	12	165	114	19	31,0	46	122	36	HS12-d	
575075412180	HSK63A -PHC12SB -180	12	180	130	19	32,7	46	137	36	HS12-d	
575075416135	HSK63A -PHC16SB -135	16	135	84	23	31,9	52,5	91	40		
575075416165	HSK63A -PHC16SB -165	16	165	114	23	35,0	52,5	120	40		
575075416180	HSK63A -PHC16SB -180	16	180	129	23	36,6	52,5	135	40		
575075420150	HSK63A -PHC20SB -150	20	150	84	28	36,9	60	91	40	HS20-d	
575075420180	HSK63A -PHC20SB -180	20	180	114	28	40,0	60	120	40	HS20-d	
575075420195	HSK63A -PHC20SB -195	20	195	129	28	41,6	60	135	40	HS20-d	
575075425150	HSK63A -PHC25SB -150	25	150	84	37	45,9	60	91	50		
575075425180	HSK63A -PHC25SB -180	25	180	114	37	49,0	60	120	50		
575075425195	HSK63A -PHC25SB -195	25	195	129	37	50,6	60	135	50		

•Tool shank tolerance h6
•HSK-Coolant pipe included in delivery

•Tolleranza h6
•HSK con unità di trasferimento refrigerante

•no hole for ID-Chip
•Preset screw optional

•senza foro per supporto dati
•Vite di regolazione lunghezza opzionale

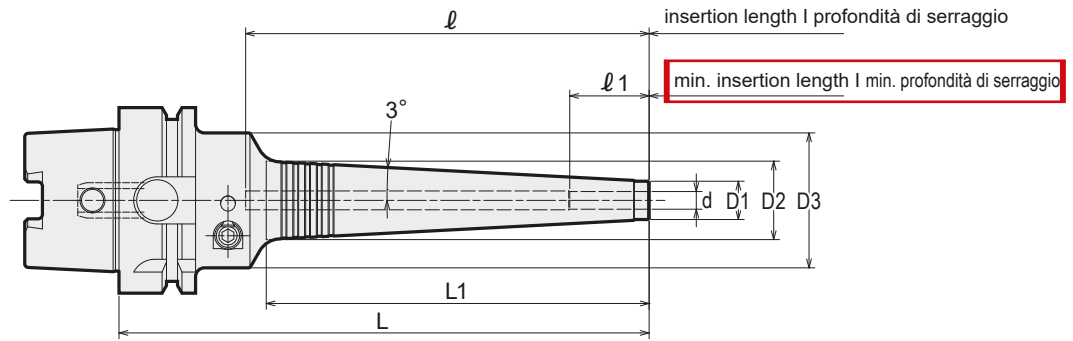


PHC·SB-C with coolant nozzles | con cave refrigerante

Blaster



PHC·SB-C
HSK·A



Caution: strictly keep minimum insertion length l_1
Attenzione: rispettare la profondità minima di serraggio l_1



Holder Mandrino				d	D ₁	D ₂	D ₃	L	L ₁	l	H	Price Prezzo
HSK63A	-PHC03SB	-135	-C	3	12	20,9	46	135	84	16	113	
	-PHC04SB	-80	-C	4	12	15,0	46	80	28	19	58	
		-135	-C	4	12	20,9	46	135	84	19	113	
	-PHC06SB	-135	-C	6	14	22,9	46	135	84	27	92	
	-PHC08SB	-135	-C	8	16	24,9	46	135	84	27	92	
	-PHC10SB	-135	-C	10	18	26,9	46	135	84	33	92	
		-135	-C	12	20	28,9	46	135	84	36	92	
	-PHC12SB	-180	-C	12	20	33,7	46	180	130	36	137	
		-135	-C	16	24	32,9	52,5	135	84	40	91	
	-PHC16SB	-180	-C	16	24	37,6	52,5	180	129	40	135	
		-150	-C	20	29	37,9	62	150	84	40	91	
	-PHC20SB	-195	-C	20	29	42,6	62	195	129	40	135	
	-150	-C	25	38	46,9	62	150	84	50	91		
-PHC25SB	-195	-C	25	38	51,6	62	195	129	50	135		

•Tool shank tolerance h6
 •HSK-Coolant pipe included in delivery

•no hole for ID-Chip
 •Preset screw optional

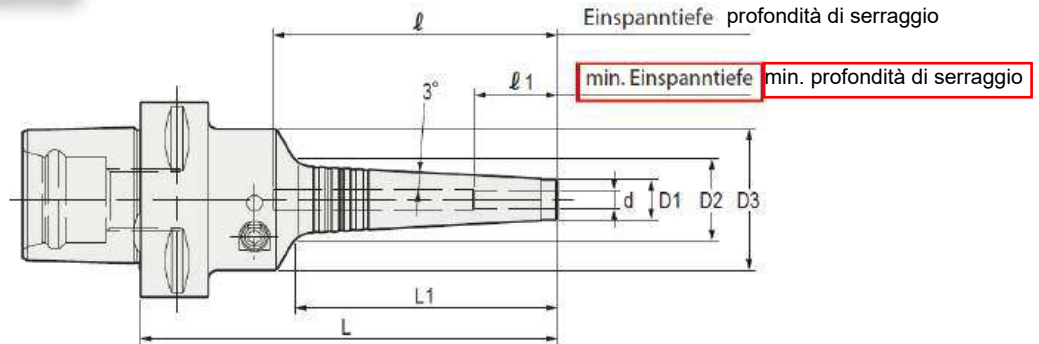
•Tolleranza h6
 •HSK con unità di trasferimento refrigerante


•senza foro per supporto dati
 •Vite di regolazione lunghezza opzionale

Slim Hydro Chuck | Mandrini idraulici ultra sottile



PHC·SB
ISO 26623




Caution: strictly keep minimum insertion length l_1
Attenzione: rispettare la profondità minima di serraggio l_1



HS Collets / Pinze P. 11

5

Code	Holder Mandrino	d	L	L ₁	D ₁	D ₂	D ₃			HS	Price Prezzo
672510603135	C6 -PHC03SB -135A	3	135	84	11	19,9	46	117	16		
672510604135	C6 -PHC04SB -135A	4	135	84	11	19,9	46	117	19		
672510606135	C6 -PHC06SB -135A	6	135	84	13	21,9	46	92	27		
672510608135	C6 -PHC08SB -135A	8	135	84	15	23,9	46	92	27		
672510610135	C6 -PH10SB -135A	10	135	84	17	26,9	46	92	33		
672510612135	C6 -PH12SB -135A	12	135	84	19	27,9	46	92	36	HS12-d	

- Tool shank tolerance h6
- HSK-Coolant pipe included in delivery

- Tolleranza h6
- HSK con unità di trasferimento refrigerante

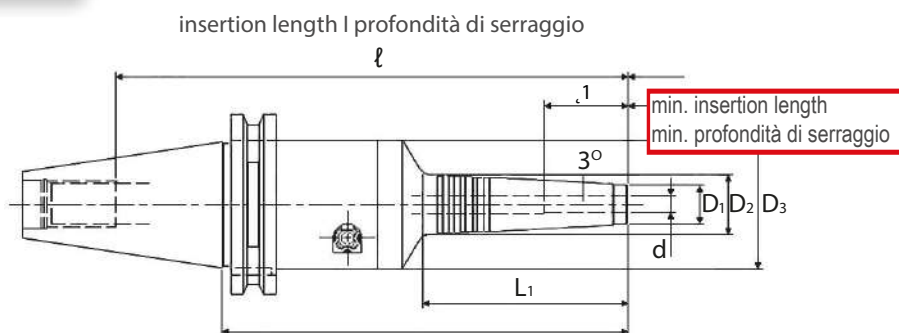
- no hole for ID-Chip
- Preset screw optional

- senza foro per supporto dati
- Vite di regolazione lunghezza opzionale

Slim Hydro Chuck cool series | Mandrini idraulici cool series



PHC·SB
SK DIN ISO 7388-1



Caution: strictly keep minimum insertion length l_1
Attenzione: rispettare la profondità minima di serraggio l_1



HS Collets | Pinze P. 11

Code	Holder Mandrino		L	L ₁	D ₁	D ₂	D ₃	ℓ	ℓ 1	HS	Price Prezzo
176002403075	SK40 -PHC03SB -75	3	75	28	11	14,0	46	(110)	16		
176002403090	SK40 -PHC03SB -90	3	90	37	11	14,9	46	(125)	16		
176002403135	SK40 -PHC03SB -135	3	135	84	11	19,9	46	(170)	16		
176002404075	SK40 -PHC04SB -75	4	75	28	11	14,0	46	(110)	19		
176002404090	SK40 -PHC04SB -90	4	90	37	11	14,9	46	(125)	19		
176002404135	SK40 -PHC04SB -135	4	135	84	11	19,9	46	(170)	19		
176002406090	SK40 -PHC06SB -90	6	90	38	13	17,0	46	53	27		
176002406135	SK40 -PHC06SB -135	6	135	84	13	21,9	46	92	27		
176002406150	SK40 -PHC06SB -150	6	150	99	13	23,4	46	107	27		
176002406165	SK40 -PHC06SB -165	6	165	114	13	25,0	46	122	27		
176002406180	SK40 -PHC06SB -180	6	180	130	13	26,7	46	137	27		
176002408090	SK40 -PHC08SB -90	8	90	38	15	19,0	46	53	27		
176002408135	SK40 -PHC08SB -135	8	135	84	15	23,9	46	92	27		
176002408150	SK40 -PHC08SB -150	8	150	99	15	25,4	46	107	27		
176002408165	SK40 -PHC08SB -165	8	165	114	15	27,0	46	122	27		
176002408180	SK40 -PHC08SB -180	8	180	130	15	28,7	46	137	27		
176002410105	SK40 -PHC10SB -105	10	105	53	17	22,6	46	68	33		
176002410135	SK40 -PHC10SB -135	10	135	84	17	25,9	46	92	33		
176002410150	SK40 -PHC10SB -150	10	150	99	17	27,4	46	107	33		
176002410165	SK40 -PHC10SB -165	10	165	114	17	29,0	46	122	33		
176002410180	SK40 -PHC10SB -180	10	180	130	17	30,7	46	137	33		
176002412105	SK40 -PHC12SB -105	12	105	53	19	24,6	46	68	36	HS12-d	
176002412135	SK40 -PHC12SB -135	12	135	84	19	27,9	46	92	36	HS12-d	
176002412150	SK40 -PHC12SB -150	12	150	99	19	29,4	46	107	36	HS12-d	
176002412165	SK40 -PHC12SB -165	12	165	114	19	31,0	46	122	36	HS12-d	
176002412180	SK40 -PHC12SB -180	12	180	130	19	32,7	46	137	36	HS12-d	
176002416135	SK40 -PHC16SB -135	16	135	84	23	31,9	52,5	91	40		
176002416165	SK40 -PHC16SB -165	16	165	114	23	35,0	52,5	120	40		
176002416180	SK40 -PHC16SB -180	16	180	129	23	36,6	52,5	135	40		
176002420150	SK40 -PHC20SB -150	20	150	84	28	36,9	60	91	40	HS20-d	
176002420180	SK40 -PHC20SB -180	20	180	114	28	40,0	60	120	40	HS20-d	
176002420195	SK40 -PHC20SB -195	20	195	129	28	41,6	60	135	40	HS20-d	
176002425150	SK40 -PHC25SB -150	25	150	84	37	45,9	60	91	50		
176002425180	SK40 -PHC25SB -180	25	180	114	37	49,0	60	120	50		
176002425195	SK40 -PHC25SB -195	25	195	129	37	50,6	60	135	50		

•Tool shank tolerance h6
•HSK-Coolant pipe included in delivery

•Tolleranza h6
•HSK con unità di trasferimento refrigerante

•no hole for ID-Chip
•Preset screw optional

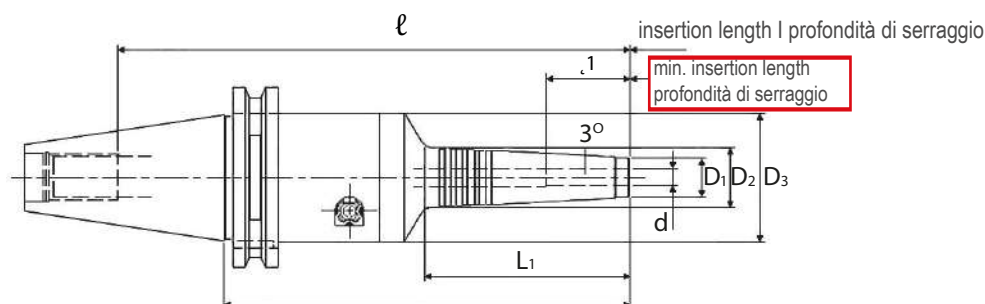
•senza foro per supporto dati
•Vite di regolazione lunghezza opzionale

PHC·SB-C with coolant nozzles I con cave refrigerante

Blaster



PHC·SB-C
SK DIN ISO 7388-1



Caution: strictly keep minimum insertion length ℓ_1
Attenzione: rispettare la profondità minima di serraggio ℓ_1



Code	Holder I Mandrino	d	L	L ₁	D ₁	D ₂	D ₃	ℓ	ℓ ₁	Price I Prezzo
179002403090	SK40 -PHC03SB -90-C	3	90	37	12	15,9	46	(125)	16	
179002403135	SK40 -PHC03SB -135-C	3	135	84	12	20,9	46	(170)	16	
179002404090	SK40 -PHC04SB -90-C	4	90	37	12	15,9	46	(125)	19	
179002404135	SK40 -PHC04SB -135-C	4	135	84	12	20,9	46	(170)	19	
179002406090	SK40 -PHC06SB -90-C	6	90	38	14	18,0	46	53	27	
179002406135	SK40 -PHC06SB -135-C	6	135	84	14	22,9	46	92	27	
179002408090	SK40 -PHC08SB -90-C	8	90	38	16	20,0	46	53	27	
179002408135	SK40 -PHC08SB -135-C	8	135	84	16	24,9	46	92	27	
179002410105	SK40 -PHC10SB -105-C	10	105	53	18	23,6	46	68	33	
179002410135	SK40 -PHC10SB -135-C	10	135	84	18	26,9	46	92	33	
179002412105	SK40 -PHC12SB -105-C	12	105	53	20	25,6	46	68	36	
179002412135	SK40 -PHC12SB -135-C	12	135	84	20	28,9	46	92	36	
179002416135	SK40 -PHC16SB -135-C	16	135	84	24	32,9	52,5	91	40	
179002416165	SK40 -PHC16SB -165-C	16	165	114	24	36,0	52,5	120	40	
179002420150	SK40 -PHC20SB -150-C	20	150	84	29	37,9	60	91	40	
179002420195	SK40 -PHC20SB -195-C	20	195	129	29	42,6	60	135	40	
179002425150	SK40 -PHC25SB -150-C	25	150	84	38	46,9	60	91	50	
179002425195	SK40 -PHC25SB -195-C	25	195	129	38	51,6	60	135	50	

•Tool shank tolerance h6
•HSK-Coolant pipe included in delivery

•no hole for ID-Chip
•Preset screw optional

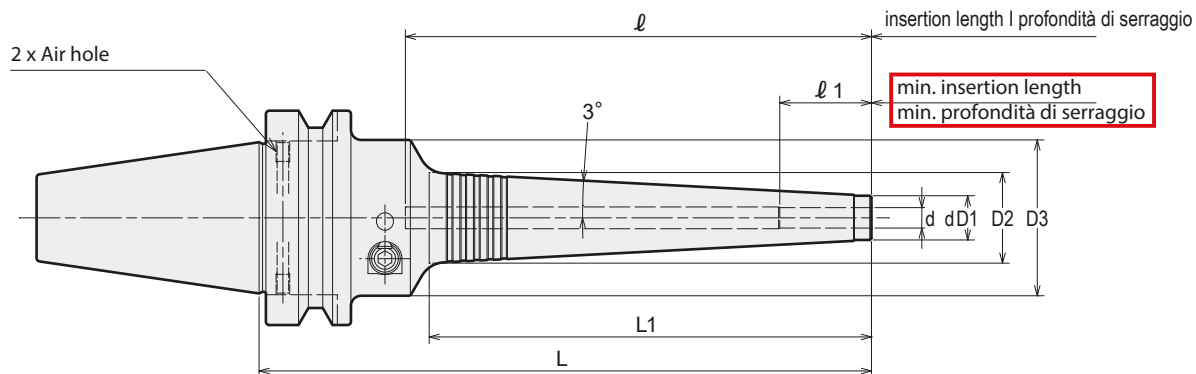
•Tolleranza h6
•HSK con unità di trasferimento refrigerante

•senza foro per supporto dati
•Vite di regolazione lunghezza opzionale

Slim Hydro Chuck I Mandrino idraulici ultra sottile



PHC·SB
DIN ISO 7388-2 (MAS-BT)



Caution: strictly keep minimum insertion length l_1
Attenzione: rispettare la profondità minima di serraggio l_1



HS Collets I Pinze P.11

Code	Holder I Mandrino	d	L	L ₁	D ₁	D ₂	D ₃	ℓ	ℓ ₁	HS	Price I Prezzo
370002103070	BT30 -PHC03SB -70	3	70	28	11	14,0	46	(93)	16		
370002103085	BT30 -PHC03SB -85	3	85	37	11	14,9	46	(108)	16		
370002103130	BT30 -PHC03SB -130	3	130	84	11	19,9	46	(153)	16		
370002104070	BT30 -PHC04SB -70	4	70	28	11	14,0	46	(93)	19		
370002104085	BT30 -PHC04SB -85	4	85	37	11	14,9	46	(108)	19		
370002104130	BT30 -PHC04SB -130	4	130	84	11	19,9	46	(153)	19		
370002106090	BT30 -PHC06SB -90	6	90	38	13	17,0	46	58	27		
370002106135	BT30 -PHC06SB -135	6	135	84	13	21,9	46	92	27		
370002106150	BT30 -PHC06SB -150	6	150	99	13	23,4	46	107	27		
370002106165	BT30 -PHC06SB -165	6	165	114	13	25,0	46	122	27		
370002106180	BT30 -PHC06SB -180	6	180	130	13	26,7	46	137	27		
370002108090	BT30 -PHC08SB -90	8	90	38	15	19,0	46	58	27		
370002108135	BT30 -PHC08SB -135	8	135	84	15	23,9	46	92	27		
370002108150	BT30 -PHC08SB -150	8	150	99	15	25,4	46	107	27		
370002108165	BT30 -PHC08SB -165	8	165	114	15	27,0	46	122	27		
370002108180	BT30 -PHC08SB -180	8	180	130	15	28,7	46	137	27		
370002110105	BT30 -PHC10SB -105	10	105	53	17	22,6	46	73	33		
370002110135	BT30 -PHC10SB -135	10	135	84	17	25,9	46	92	33		
370002110150	BT30 -PHC10SB -150	10	150	99	17	27,4	46	107	33		
370002110165	BT30 -PHC10SB -165	10	165	114	17	29,0	46	122	33		
370002110180	BT30 -PHC10SB -180	10	180	130	17	30,7	46	137	33		
370002112105	BT30 -PHC12SB -105	12	105	53	19	24,6	46	73	36	HS12-d	
370002112135	BT30 -PHC12SB -135	12	135	84	19	27,9	46	92	36	HS12-d	
370002112150	BT30 -PHC12SB -150	12	150	99	19	29,4	46	107	36	HS12-d	
370002112165	BT30 -PHC12SB -165	12	165	114	19	31,0	46	122	36	HS12-d	
370002112180	BT30 -PHC12SB -180	12	180	130	19	32,7	46	137	36	HS12-d	

•Tool shank tolerance h6
•HSK-Coolant pipe included in delivery

•no hole for ID-Chip
•Preset screw optional

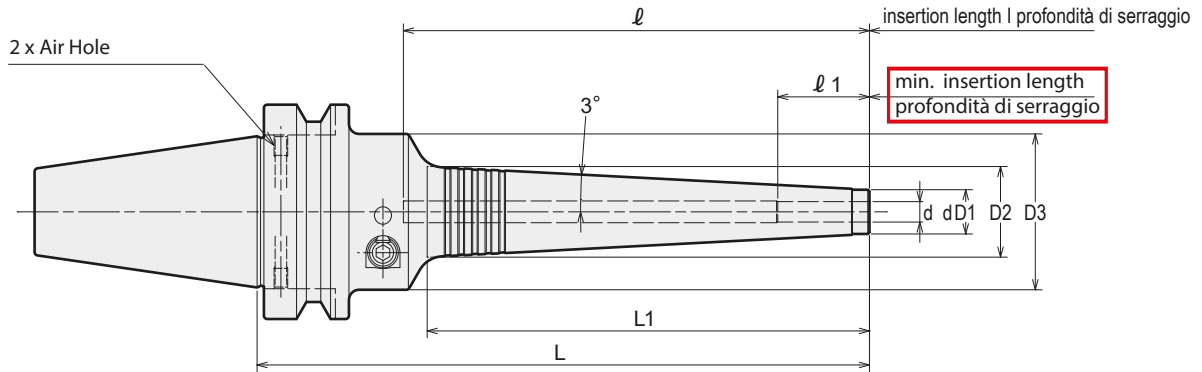
•Tolleranza h6
•HSK con unità di trasferimento refrigerante

•senza foro per supporto dati
•Vite di regolazione lunghezza opzionale

Slim Hydro Chuck I Mandrino idraulici ultra sottile



PHC·SB
DIN ISO 7388-2 (MAS-BT)



Caution: strictly keep minimum insertion length l_1
Attenzione: rispettare la profondità minima di serraggio l_1



HS Collets I Pinze P. 11

Code	Holder I Mandrino	d	L	L ₁	D ₁	D ₂	D ₃	l	l ₁	HS	Price I Prezzo
370002303075	BT40 -PHC03SB -75	3	75	28	11	14,0	46	(110)	16		
370002303090	BT40 -PHC03SB -90	3	90	37	11	14,9	46	(125)	16		
370002303135	BT40 -PHC03SB -135	3	135	84	11	19,9	46	(170)	16		
370002304075	BT40 -PHC04SB -75	4	75	28	11	14,0	46	(110)	19		
370002304090	BT40 -PHC04SB -90	4	90	37	11	14,9	46	(125)	19		
370002304135	BT40 -PHC04SB -135	4	135	84	11	19,9	46	(170)	19		
370002306090	BT40 -PHC06SB -90	6	90	38	13	17,0	46	53	27		
370002306135	BT40 -PHC06SB -135	6	135	84	13	21,9	46	92	27		
370002306150	BT40 -PHC06SB -150	6	150	99	13	23,4	46	107	27		
370002306165	BT40 -PHC06SB -165	6	165	114	13	25,0	46	122	27		
370002306180	BT40 -PHC06SB -180	6	180	130	13	26,7	46	137	27		
370002308090	BT40 -PHC08SB -90	8	90	38	15	19,0	46	53	27		
370002308135	BT40 -PHC08SB -135	8	135	84	15	23,9	46	92	27		
370002308150	BT40 -PHC08SB -150	8	150	99	15	25,4	46	107	27		
370002308165	BT40 -PHC08SB -165	8	165	114	15	27,0	46	122	27		
370002308180	BT40 -PHC08SB -180	8	180	130	15	28,7	46	137	27		
370002310105	BT40 -PHC10SB -105	10	105	53	17	22,6	46	68	33		
370002310135	BT40 -PHC10SB -135	10	135	84	17	25,9	46	92	33		
370002310150	BT40 -PHC10SB -150	10	150	99	17	27,4	46	107	33		
370002310165	BT40 -PHC10SB -165	10	165	114	17	29,0	46	122	33		
370002310180	BT40 -PHC10SB -180	10	180	130	17	30,7	46	137	33		
370002312105	BT40 -PHC12SB -105	12	105	53	19	24,6	46	68	36	HS12-d	
370002312135	BT40 -PHC12SB -135	12	135	84	19	27,9	46	92	36	HS12-d	
370002312150	BT40 -PHC12SB -150	12	150	99	19	29,4	46	107	36	HS12-d	
370002312165	BT40 -PHC12SB -165	12	165	114	19	31,0	46	122	36	HS12-d	
370002312180	BT40 -PHC12SB -180	12	180	130	19	32,7	46	137	36	HS12-d	
370002316135	BT40 -PHC16SB -135	16	135	84	23	31,9	52,5	91	40		
370002316165	BT40 -PHC16SB -165	16	165	114	23	35,0	52,5	120	40		
370002316180	BT40 -PHC16SB -180	16	180	129	23	36,6	52,5	135	40		
370002320135	BT40 -PHC20SB -135	20	135	84	28	36,9	60	91	40	HS20-d	
370002320165	BT40 -PHC20SB -165	20	165	114	28	40,0	60	120	40	HS20-d	
370002320180	BT40 -PHC20SB -180	20	180	129	28	41,6	60	135	40	HS20-d	
370002325135	BT40 -PHC25SB -135	25	135	84	37	45,9	60	91	50		
370002325165	BT40 -PHC25SB -165	25	165	114	37	49,0	60	120	50		
370002325180	BT40 -PHC25SB -180	25	180	129	37	50,6	60	135	50		

*Tool shank tolerance h6
*HSK-Coolant pipe included in delivery

*Tolleranza h6
*HSK con unità di trasferimento refrigerante

*no hole for ID-Chip
*Preset screw optional

*senza foro per supporto dati
*Vite di regolazione lunghezza opzionale



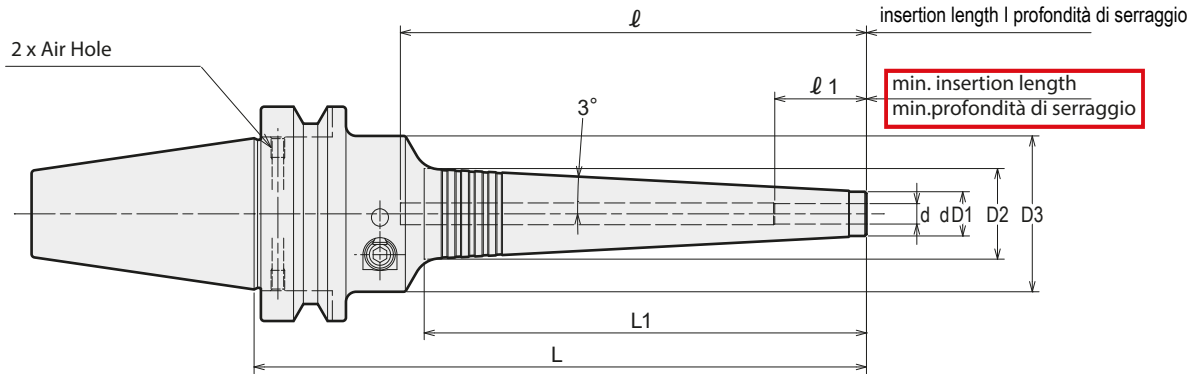
PHC·SB-C

with coolant nozzle | con cave refrigerante



PHC·SB-C
DIN ISO 7388-2 (MAS-BT)

Blaster



Caution: strictly keep minimum insertion length ℓ1
Attenzione: rispettare la profondità minima di serraggio ℓ1



Code	Halter Mandrino	d	L	L ₁	D ₁	D ₂	D ₃	ℓ	ℓ ₁	Price Prezzo
395002103085	BT30 -PHC03SB -85-C	3	85	37	12	15,9	46	(108)	16	
395002103130	BT30 -PHC03SB -130-C	3	130	84	12	20,9	46	(153)	16	
395002104085	BT30 -PHC04SB -85-C	4	85	37	12	15,9	46	(108)	19	
395002104130	BT30 -PHC04SB -130-C	4	130	84	12	20,9	46	(153)	19	
395002106090	BT30 -PHC06SB -90-C	6	90	38	14	18,0	46	58	27	
395002106135	BT30 -PHC06SB -135-C	6	135	84	14	22,9	46	92	27	
395002108090	BT30 -PHC08SB -90-C	8	90	38	16	20,0	46	58	27	
395002108135	BT30 -PHC08SB -135-C	8	135	84	16	24,9	46	92	27	
395002110105	BT30 -PHC10SB -105-C	10	105	53	18	23,6	46	73	33	
395002110135	BT30 -PHC10SB -135-C	10	135	84	18	26,9	46	92	33	
395002112105	BT30 -PHC12SB -105-C	12	105	53	20	25,6	46	73	36	
395002112135	BT30 -PHC12SB -135-C	12	135	84	20	28,9	46	92	36	

Art.-Nr.	Halter Mandrino	d	L	L ₁	D ₁	D ₂	D ₃	ℓ	ℓ ₁	Price Prezzo
395002303090	BT40 -PHC03SB -90-C	3	90	37	12	15,9	46	(125)	16	
395002303135	BT40 -PHC03SB -135-C	3	135	84	12	20,9	46	(170)	16	
395002304090	BT40 -PHC04SB -90-C	4	90	37	12	15,9	46	(125)	19	
395002304135	BT40 -PHC04SB -135-C	4	135	84	12	20,9	46	(170)	19	
395002306090	BT40 -PHC06SB -90-C	6	90	38	14	18,0	46	53	27	
395002306135	BT40 -PHC06SB -135-C	6	135	84	14	22,9	46	92	27	
395002308090	BT40 -PHC08SB -90-C	8	90	38	16	20,0	46	53	27	
395002308135	BT40 -PHC08SB -135-C	8	135	84	16	24,9	46	92	27	
395002310105	BT40 -PHC10SB -105-C	10	105	53	18	23,6	46	68	33	
395002310135	BT40 -PHC10SB -135-C	10	135	84	18	26,9	46	92	33	
395002312105	BT40 -PHC12SB -105-C	12	105	53	20	25,6	46	68	36	
395002312135	BT40 -PHC12SB -135-C	12	135	84	20	28,9	46	92	36	
395002316135	BT40 -PHC16SB -135-C	16	135	84	24	32,9	52,5	91	40	
395002316165	BT40 -PHC16SB -165-C	16	165	114	24	36,0	52,5	120	40	
395002320135	BT40 -PHC20SB -135-C	20	135	84	29	37,9	60	91	40	
395002320180	BT40 -PHC20SB -180-C	20	180	129	29	42,6	60	135	40	
395002325135	BT40 -PHC25SB -135-C	25	135	84	38	46,9	60	91	50	
395002325180	BT40 -PHC25SB -180-C	25	180	129	38	51,6	60	135	50	

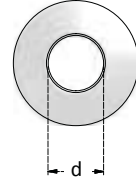
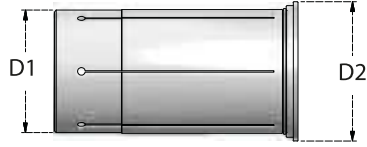
•Tool shank tolerance h6
•HSK-Coolant pipe included in delivery

•no hole for ID-Chip
•Preset screw optional

•Tolleranza h6
•HSK con unità di trasferimento refrigerante

•senza foro per supporto dati
•Vite di regolazione lunghezza opzionale

HS-Collets I Pinze



HS-OH

coolant proof
tenuta stagna

Spannhülse	D ₁	D ₂	d	Price I Prezzo
HS -12-d-OH	12	16	3	
HS -12-d-OH	12	16	4, 6, 8, 10	
HS -20-d-OH	20	25	6, 8, 10, 12, 16	



HS-CF

for side-through coolant
per refrigerazione periferica

Collet I Pinze	D ₁	D ₂	d	Price I Prezzo
HS -12-d-CF	12	16	3	
HS -12-d-CF	12	16	4, 6, 8	
HS -20-d-CF	20	25	6, 8, 10, 12, 16	

Technical information for using HS-Collets

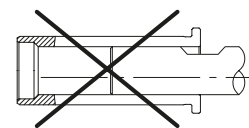
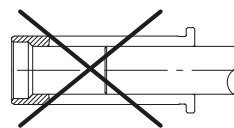
Informazioni tecniche sull'uso delle bussole di serraggio HS

Minimum insertion length I profondità minime di serraggio

Ø	HS12	HS20
3,4	29	28
6	36	36
8	37	37
10	40	40
12,14		45
16		48

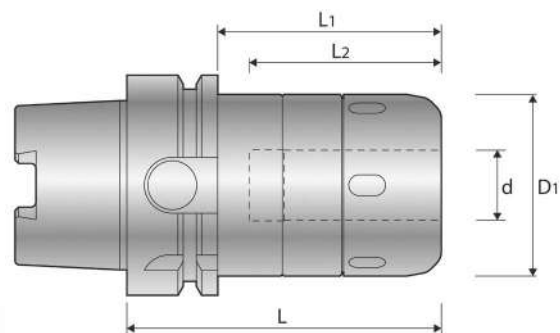
Insert tools the full length of HS-Collet

inserire l'utensile nella pinza per tutta la sua lunghezza



CT-SA High Performance Milling Chuck

Mandrino forte serraggio



CT-SA High Performance Milling Chuck

Mandrino forte serraggio

3.0
32.0

0.005
3x D

max
20.000
min⁻¹



Holder I Mandrino	d	D ₁	L	L ₁	L ₂	Price I Prezzo
HSK63A -CT20SA -90	20	52	90	64	60	
C6 -CT20SA -90	20	52	90	68	75	
SK40 -CT20SA -90	20	52	90	71	80	
SK50 -CT32SA -105	32	73	105	86	120	
BT40 -CT20SA -90	20	52	90	63	80	
BT50 -CT32SA -105	32	73	105	67	120	

MC Collets I Pinze

MC-OH coolant proof I per refrigerazione interna



Collets I Pinze	for Holder I per Mandrino	Price I Prezzo
MC20 6, 8, 10, 12, 16	CT20SA	
MC32 6, 8, 10, 12, 16, 20, 25	CT32SA	
MC20-OH 6, 8, 10, 12, 16	CT20SA	
MC32-OH 6, 8, 10, 12, 16, 20, 25	CT32SA	

CT-SA POWER SET



penlight with magnet
lampada magnetica

inclusive
incluso

- Set:** 1 x Milling Chuck CT20SA-90
1 x Spanner HS-2-20
- each** 1 x MC-Collet d 6, 8, 10, 12, 16 mm
- Set:** 1 x Mandrino CT20SA-90
1 x Chiave HS-2-20
- per** 1 x Pinza MC d 6, 8, 10, 12, 16 mm

MC

MC-OH

MC-C



MC reduction of diameter | per la riduzione del diametro

MC-OH for inner coolant | per refrigerante interna

MC-C for side-through coolant | per refrigerazione periferica

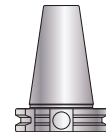
DIN 69893
ISO 12164



ISO 26623-1



DIN 69871
ISO 7338



MAS-BT
JIS B6339

SET	HSK63A		Polygon C6		SK40 / BT40	
	List Price	Power-Box-Price	List Price	Power-Box-Price	List Price	Power-Box-Price
Set with MC-Collets Set con Pinze MC	€ 632,00		€ 699,00		€ 569,00	
Set with MC-OH Collets Set con Pinze MC-OH	€ 677,00		€ 744,00		€ 614,00	
Set with MC-C Collets Set con Pinze MC-C	€ 812,00		€ 879,00		€ 749,00	

