

SV200_VM12



- Rugged industrial-grade vehicle-mounted terminal specially designed for the dispatching and management of heavy-duty vehicles such as mining trucks
- 10.1" Industrial LCD Screen with P-cap Touch Panel
- 8-36V DC input, with Ignition Intelligent Switch Function
- USB,RS-232/422/485,LAN,CAN,TTL,DIO etc.
- Cortex Dual-Core A72 and Quad-Core A53 Processor
- M12 Connector I/O Interface
- Rugged and Fanless Design, IP65
- Full IP65 dust/water protection
- Optional WiFi, Bluetooth, 4G/5G, GPS



The actual appearance is subject to the final configuration.

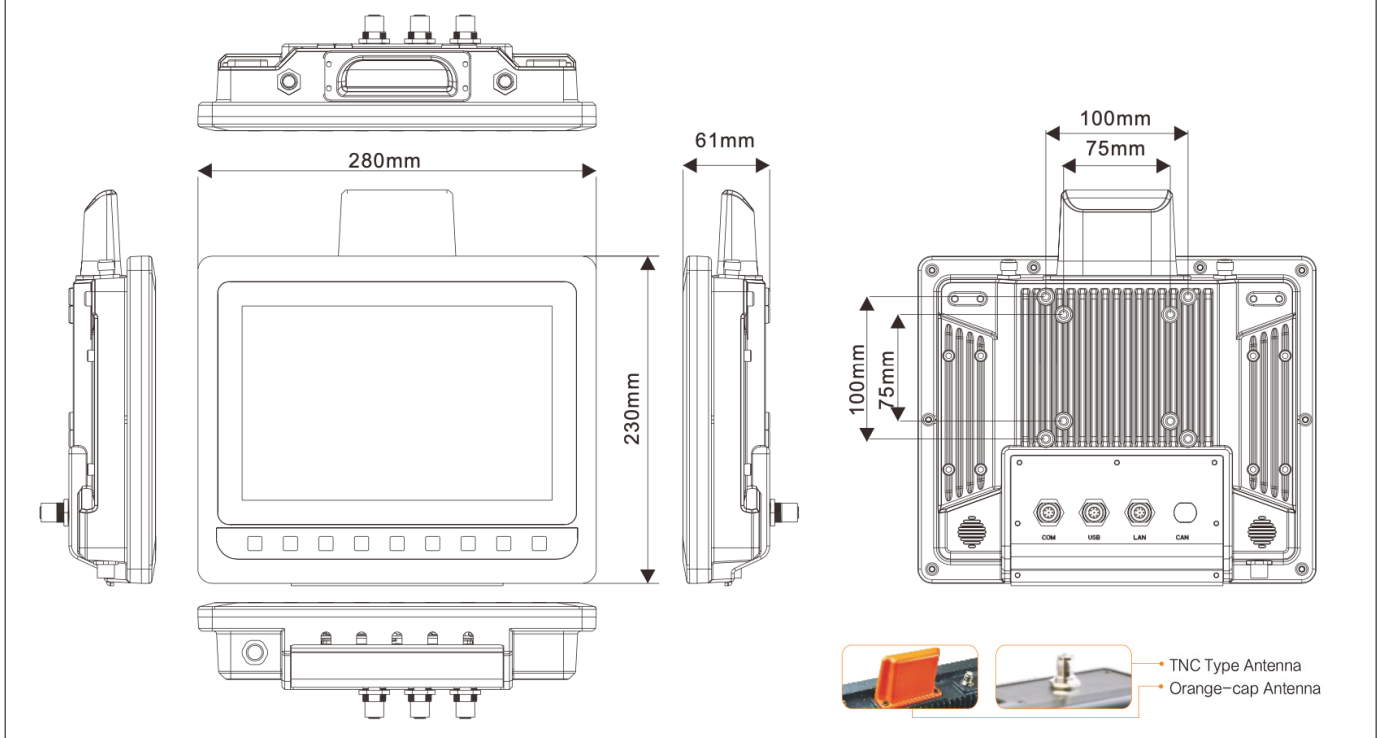
Specifications

MODEL	SV200_VM12		
Supported OS	Android 10, Ubuntu18.04		
Processor	Model	Rockchip RK3399 Processor (1.8GHz)	
RAM	Type	4GB LPDDR4	
Storage	Type	32GB EMMC	
Display	Size	10.1-Inch	
	Resolution(H x V)	1280 x 800	
	Brightness	400 cd/m2	
	Backlight	LED	
	LED Lifetime	50000 Hrs	
	Touchscreen	P-CAP Touch	
I/O INTERFACE	Serial Port	1 x RS232	1 x RS485(STD)
		2 x RS232 - 2 x RS485, 1 x TTL (Optional)	
	DIO	4 in & 4 out (Optional)	
	Ethernet	1 x GbE LAN	
	USB	2 x USB2.0	
	CAN Bus	2 x CAN2.0B (Optional)	
	Others	1 x DC-IN	
	Speaker	2x Speaker (8ohm, 2W)	
Power Management	8~36VDC - Power Consumption: 13W typ. - Delay 2 seconds to boot; Delay shutdown, default 2 seconds; (The time can be adjusted through Jumper)		

Keypad & Keyboard	Power Switch	Power Switch
	Brightness	Brightness Adjustable
	Function Key	Custom Function Keys F1~F6
RF Communication	WLAN	802.11 a/b/g/n/ac (2.4G/5G)
	WWAN	4G/5G (Optional)
	GNSS	GPS/Beidou/Glonass (Optional)
	Bluetooth	Bluetooth 4.0
Environment	Operating Temperature	-20 to 60°C
	Relative Humidity	5%-90%,@ 40°C (non-condensing)
	IP Protection Level	IP 65
	Shock and Vibration	MIL-STD-810G Method 516.6 Procedure I MIL-STD-810G Method 514.6 Procedure I
Physical Characteristics	Material	Aluminum
	Mounting Mode	VESA-mount
	Dimensions	280 (L) x 230 (W) x 69 (H) mm
	Net Weight	3.3 Kg
Regulation	EMC	CE, FCC, RoHS

Dimension

Unit:mm



The actual appearance and dimensions are subject to the final configuration

All products and company name listed are trademarks or trade names of their respective companies.

Detailed Information

Screen Size	Touch Function	Resolution (H*V)	Brightness (cd/m²)	Backlight	LED Lifetime
10.1 Inch	P-CAP Touch	1280 x 800	400cd/m2	LED Backlight	50000 Hrs

Serial Port	USB	Ethernet	DIO	CAN Bus	Device Dimension (W*H*D)	Net Weight	IP Grade	Power Supply
1 x RS232, 1 x RS485(STD)	2 x USB2.0	1 x GbE LAN	4 in & 4 out (Optional)	2x CAN2.0B (Optional)	280 x 230 x 69 mm	3.3 Kg	IP65	8~36VDC

Processors Info & Available List

CPU	Total Cores	Total Threads	Max Turbo Frequency	Processor Base Frequency	Cache	Bus Speed	TDP	Memory Types
ARM Dual-core A72	2	-	-	1.8GHz	-	-	-	LPDDR3
ARM Quadl-core A53	4	-	-	1.8GHz	-	-	-	LPDDR3

Packing List

Deaful Items	Qty
SV200_VM12 Unit	1
Certificate	1
Warranty Card	1

Options for Default items

Optional Items	Max Qty	Description
Keyboard Mounting Bracket	1	

Additional Images

