

S104V2



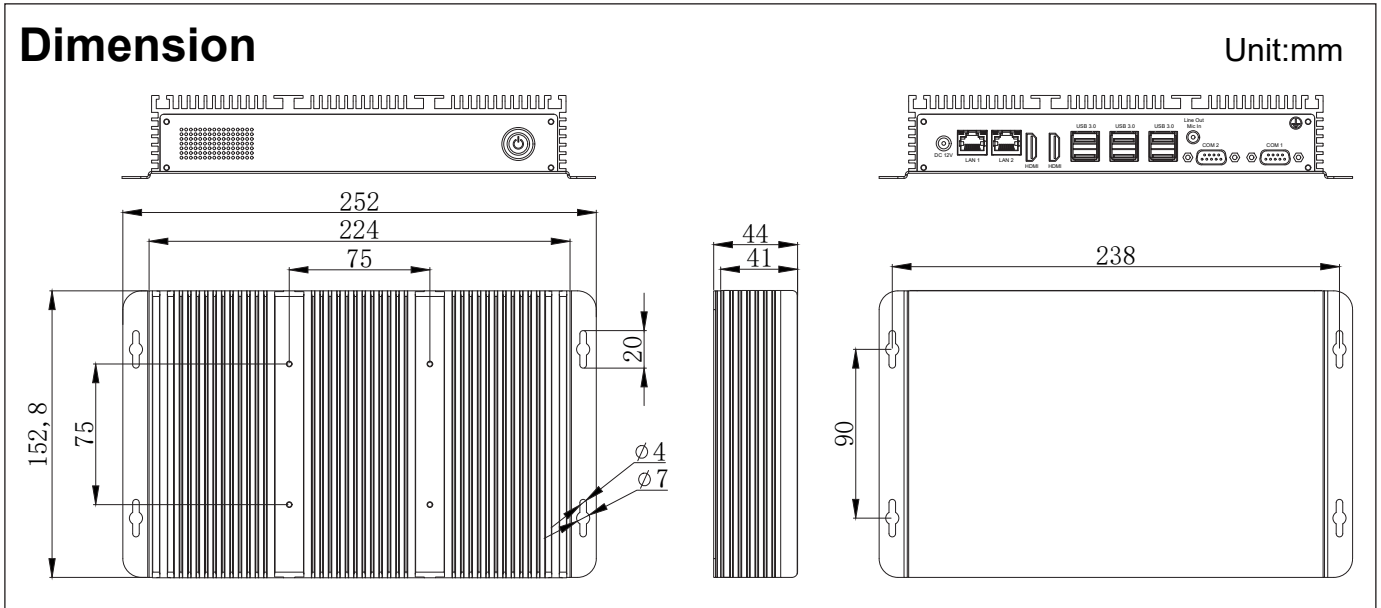
- Ultra-thin design, 44mm high only
- All aluminum alloy, super slim fan design, dustproof, anti-vibration and anti-interference
- Support diversity and rapid customization
- Modular and cable-free design, fast selection, high reliability
- The whole machine is made of all aluminum alloy, high end atmosphere Fully enclosed with fanless cooling system.



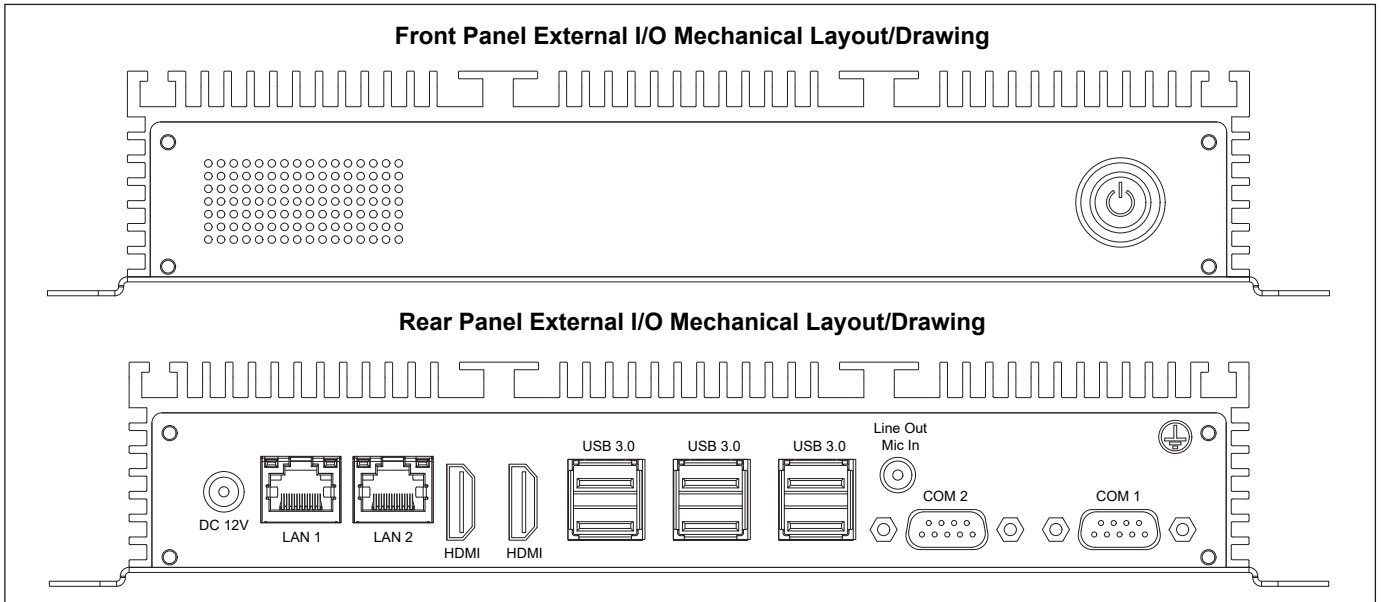
The actual appearance is subject to the final configuration.

Specifications

Model	S104v2				
Supported OS	Win 10, Win 10 IoT, Linux (Ubuntu, Debian, Kali, CentOS, etc.)				
CPU	CPU Model	Intel® Core™ i7-1165G7	Intel® Core™ i5-1135G7	Intel® Core™ i3-1115G4	Intel® Celeron® 6305E
	Graphic	Intel® Iris® Xe Graphics, Up to 96 EUs, 1.3Ghz	Intel® Iris® Xe Graphics, Up to 80 EUs, 1.3Ghz	Intel® UHD Graphics, up to 48 EUs, 1.25Ghz	
RAM	SO-DIMM	2* non-ECC SO-DIMM Socket, support DDR4-3200 MHz, up to 64GB			
Storage	M.2	1* M.2 (NGFF) 2280 M-key Slot, support PCIe4 Gen.4 NVMe/ SATA3.0 SSD			1* M.2 (NGFF) 2280 M-key Slot, support PCIe4 Gen.3 NVMe/SATA3.0 SSD
I/O INTERFACE	COM	3* RS232 (COM1/2/3, Header, Full lanes) 2* RS232/TTL (COM4/5, Header, 3 lanes); 1* RS232/RS485/TTL (COM6, Header, 3 lanes) (COM4/5/6 RS232/TTL sel by res, support RS232 by default. COM4/5/6 must be used at the same mode)			
	Ethernet	2* Intel® GbE LAN (10/100/1000 Mbps, RJ45)			
	USB	6* USB3.0; 4 * USB2.0 Internal Headers			
	Video	2* HDMI(TYPE-A), max resolution up to 4096*2160@30Hz			
	Audio	1 * Line-Out + MIC 2in1 3.5mm Jack; With 7.1 channel HD Audio Codec Realtek ALC897; 1 * Amplifier Header			
	SIM	1* Built-in nano-SIM Card Slot connected to M.2 B-key slot			
	Power Supply	12V DC; 1* DC Threaded Jack (5.5* 2.5mm) Optional 9-30V DC PWR module with Terminal Block (2-Pin, 5.08mm)			
	Other	1* 8-bit GPIO header with 4 inputs and 4 outputs, Input voltage range: 0-5V;			
Extended Capabilities	Additional Internal Interface	1* M.2 (NGFF) E-key Slot (PCIe+USB2.0, Support WiFi+BT, 2230) 1* M.2 (NGFF) B-key Slot (PCIe/USB3.0+USB2.0, Support 5G+4G/3G, with 1* nano-SIM Card Slot, 3052)			
	Functionality Extension	COM, LAN, USB, CAN BUS, Wi-Fi, 4G			
Environment	Operating Temperature	-10 ~ 50 °C w/ 0.7m/s Airflow			
	Storage Temperature	-40 ~ 85 °C (-40~185 °F)			
	Relative Humidity	40 °C @ 95%, Non-Condensing			
Physical Characteristics	Dimensions	250* 44* 153 mm (W* H* D) (It has a higher version with 49mm shell)			
	Net Weight	1.5 KG			
Regulation	EMC	CE/FCC Class B, CCC			
	Safety	CE-LVD, RoHS, CCC			



The actual appearance and dimensions are subject to the final configuration



Ordering Information

SO-DIMM Slot	M.2 2280 M-key Slot	M.2 2230 E-key Slot	M.2 3052 B-key Slot	COM headers	GbE LAN	
2	1	1	1	6	2	
USB 3.0 Port	USB 2.0 Headers	HDMI	Line Out + Mic In	Amplifier Header	Nano-SIM Card Slot	Power Supply
6	4	2	1	1	1	DC 12V

!!! Note: Custom available for this unit, the actual data is subject to the final configuration

Processors Info & Available List

CPU	Code Name	Total Cores	Total Threads	Max Turbo Frequency	Base Frequency	Cache	TDP	Memory Types	Integrated Graphics
Intel® Core™ i7-1165G7	Tiger Lake	4	8	4.70 GHz	2.80 GHz	12 MB Intel® Smart Cache	12-28W	DDR4	Intel® Iris Xe Graphics; 96Eus
Intel® Core™ i5-1135G7	Tiger Lake	4	8	4.20 GHz	2.40 GHz	8 MB Intel® Smart Cache	12-28W	DDR4	Intel® Iris Xe Graphics; 80Eus
Intel® Core™ i3-1115G4	Tiger Lake	2	4	4.10 GHz	1.70 GHz	4 MB Intel® Smart Cache	12-28W	DDR4	Intel® Iris Xe Graphics; 48Eus
Intel® Celeron® 6305E	Tiger Lake	2	2	-	1.80 GHz	4 MB Intel® Smart Cache	15W	DDR4	Intel UHD Graphics

All products and company name listed are trademarks or trade names of their respective companies.

Packing list

Default Items	Qty
S104v2	1
AC-to-DC Adapter	1
Power cable 3-pin 150cm	1

Options for default items

Optional Items	Qty
Power cable 3-pin 150cm, USA type	-
Power cable 3-pin 150cm, EU type	-
Power cable 3-pin 150cm, UK type	-
VESA mount kits	-

Optional accessories or internal modules for unit

Optional Items	Max Qty	Description
DC9-30V TO DC-12V PWR module	1	Phoenix Terminal connector, Power supply voltage conversion module, connected by header
Isolated 8-bit GPIO, 9-26V	1	Phoenix Terminal connector, connected by jumper
Isolated RS-232	6	DB9 or Phoenix Terminal connector, connected by header
Isolated 8-bit GPIO, 9-24V	1	Phoenix Terminal connector, connected by header
4G Module	1	Connected by M.2 interface
5G Module	1	Connected by M.2 interface
WiFi Module without AP mode	1	Connected by M.2 interface

!! Note: As this product has expansion slots, please consult sales for the specific maximum number of expandable interfaces.