

S106-6C2L1P



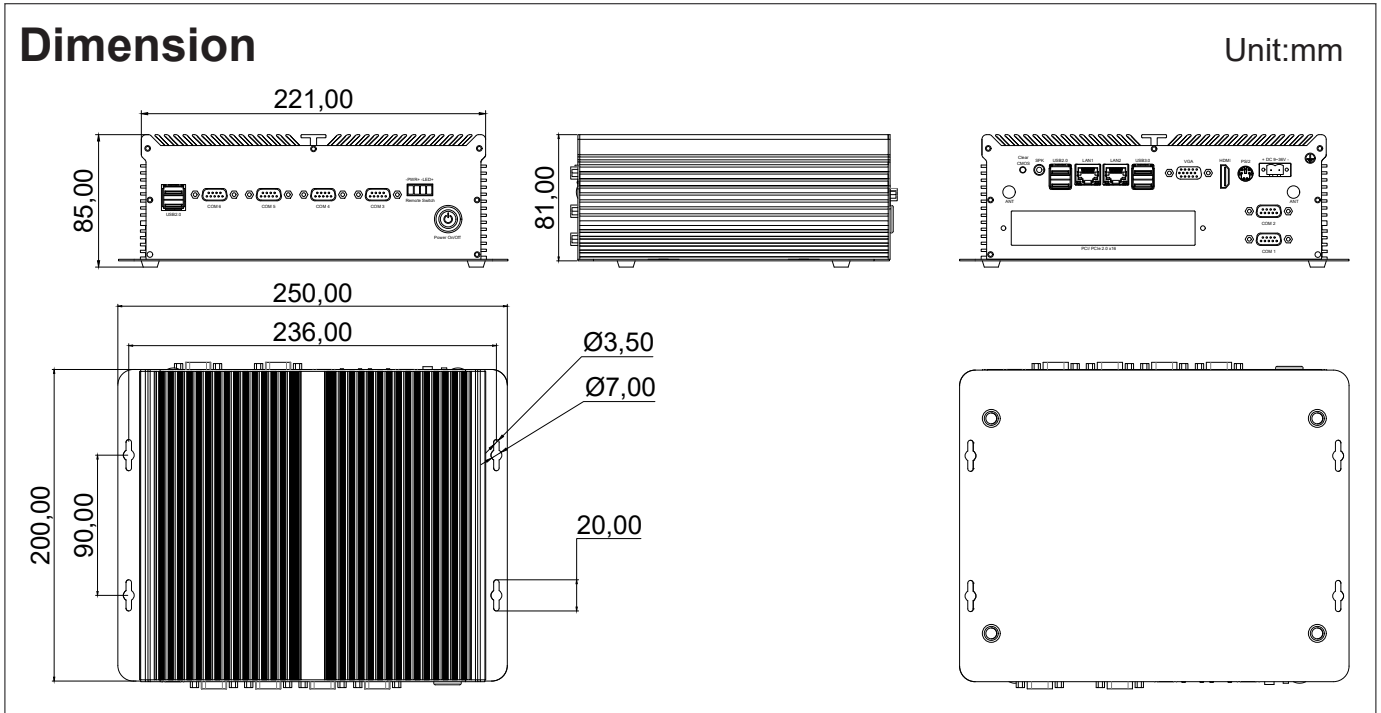
- Single Board Computers with a interface board, less cables
- Equipped with Low power consumption CPU
- Support PCI/ PCIe2.0 x16 expansion card
- Both of M.2 & Mini-PCIe expansion card are supported
- Wide voltage power supply are supported
- Rich I/O interface, support max 6* isolated serial ports



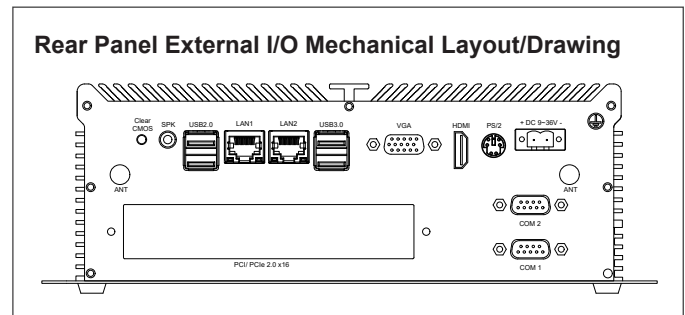
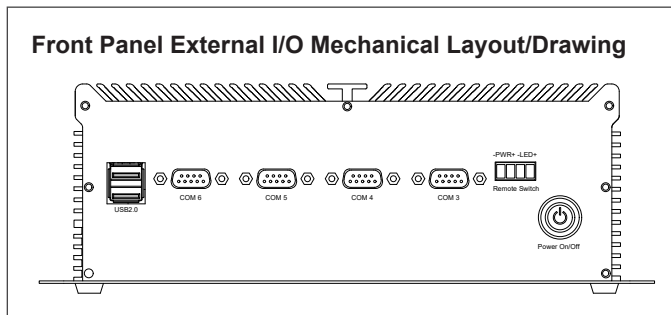
The actual appearance is subject to the final configuration.

Specifications

Model	S106-6C2L1P	
Supported OS	Win XP, Win 7, Win 8, Win 10, Linux (Ubuntu, Debian, Kali, CentOS, etc.); WES 7; Win 10 IoT	
CPU	Intel® Core™ I5-3317U, Dual cores, 4 Threads, Base Fre. 1.70GHz, Turbo Fre. 2.60 GHz, TDP 17W	
RAM	SO-DIMM	1* SO-DIMM Socket, DDR3L-1333/1600 MHz, Up to 8GB
Storage Device	SATA	1* 2.5" SATA 2.0 Bay on board (3Gb/s); 1* SATA 2.0 connector on board (3Gb/s)
	MSATA	1* mSATA3.0 slot on board (6Gb/s)
I/O Interface	COM	1* RS232/422/485 (COM1); 1* RS232/485 (COM2); 4* RS232 (COM3-6)
	Ethernet	2* GbE LAN, Realtek RTL8111H, support Wake on Network/PXE
	USB	2* USB 3.0, 4* USB 2.0; 2* USB2.0 headers
	Video	1* HDMI, support 3840x2160@30Hz; 1* VGA, support 1920x1200@60Hz;
	Audio	1* SPK; With 5.1 channels HD Audio Codec Realtek ALC662
	Power Supply	9-36V DC; 1* Terminal Block (2-Pin, 5.08mm)
	SIM Card Slot	1* Internal SIM Card Slot connected to M.2 B-key Slot
	Other	1* Terminal Block (4-Pin, 3.81mm Pitch) with Remote Switch and Power Indicator; 1* PS/2 for Keyboard/Mouse; 1* 8-bit GPIO header
Extended Capabilities	Additional Internal Interface	1* PCIe2.0 x16 or 1* PCI; 1* M.2 3052 B-key slot with SIM card slot; 1* Full size Mini-PCIe (PCIe/USB2.0); Support optional 2nd SIM card slot connected to Mini-PCIe
Environment	Operating Temperature	-10 ~ 55 °C w/ 0.7m/s Airflow
	Storage Temperature	-40 ~ 85 °C (-40~185 °F)
	Relative Humidity	40 °C @ 95%, Non-Condensing
Physical Characteristics	Dimensions	250*85*200 mm (W* H* D)
	Net Weight	2.65 KG
Regulation	EMC	CE/FCC Class B, CCC
	Safety	CE-LVD, RoHS, CCC



The actual appearance and dimensions are subject to the final configuration



Ordering Information

SO-DIMM Socket	mSATA3.0 Slot	2.5" SATA2.0 Slot	M.2 B-key slot	PCI/ PCIe 2.0 Expansion Slot	Full Size Mini-PCIe	COM Port headers	GbE LAN		
1	1	2	1	1	1	6	2		
USB3.0	USB2.0	USB2.0 Header	HDMI	VGA	MicIn/ LineOut 2 in 1 Jack	PS/2	Internal SIM card Slot	Auto-on Switch	Power Supply
2	4	2	1	1	1	1	1	1	DC 9-36V

Processors Info.

CPU	Code Name	Tota Cores	Total Threads	Max Turbo Frequency	Base Frequency	Cache	TDP	Memory Types	Integrated Graphics
Intel® Core™ I5-3317U	Ivy Bridge	2	4	2.60 GHz	1.70 GHz	3 MB Intel® Smart Cache	17 W	DDR3	Intel® HD Graphics 4000

All products and company name listed are trademarks or trade names of their respective companies.

Packing list

Deafult Items	Qty
S106-6C2L1P Unit	1
Wall mounting bracket	2
AC-to-DC Adapter	1
Power cable 3-pin 150cm	1

Options for default items

Optional Items	Qty
Power cable 3-pin 150cm, USA type	-
Power cable 3-pin 150cm, EU type	-
Power cable 3-pin 150cm, UK type	-

Optional accessories or internal modules for unit

Optional Items	Max Qty	Description
Isolated 8-bit GPIO, 9-26V	1	Phoenix Terminal connector, connected by jumper
Isolated RS-232	2	DB9 or Phoenix Terminal connector, connected by header; (Existing COM1/2 will be replaced)
4G Module	1	Connected by M.2 B-key interface or Mini-PCle interface by adaptor card with SIM card slot
5G Module	1	Connected by M.2 B-key interface
WiFi Module without AP mode	1	Connected by Mini-PCle interface
WiFi Module with AP mode	1	Connected by Mini-PCle interface
Dual channel CAN-Bus Module	1	Connected by Mini-PCle interface

!! Note: As this product has expansion slots, please consult sales for the specific maximum number of expandable interfaces.