

S104-4L4C



- Ultra-thin design, 44mm high only
- All aluminum alloy, super slim fan design, dustproof, anti-vibration and anti-interference
- Support diversity and rapid customization
- Modular and cable-free design, fast selection, high reliability
- The whole machine is made of all aluminum alloy, high end atmosphere Fully enclosed with fanless cooling system.



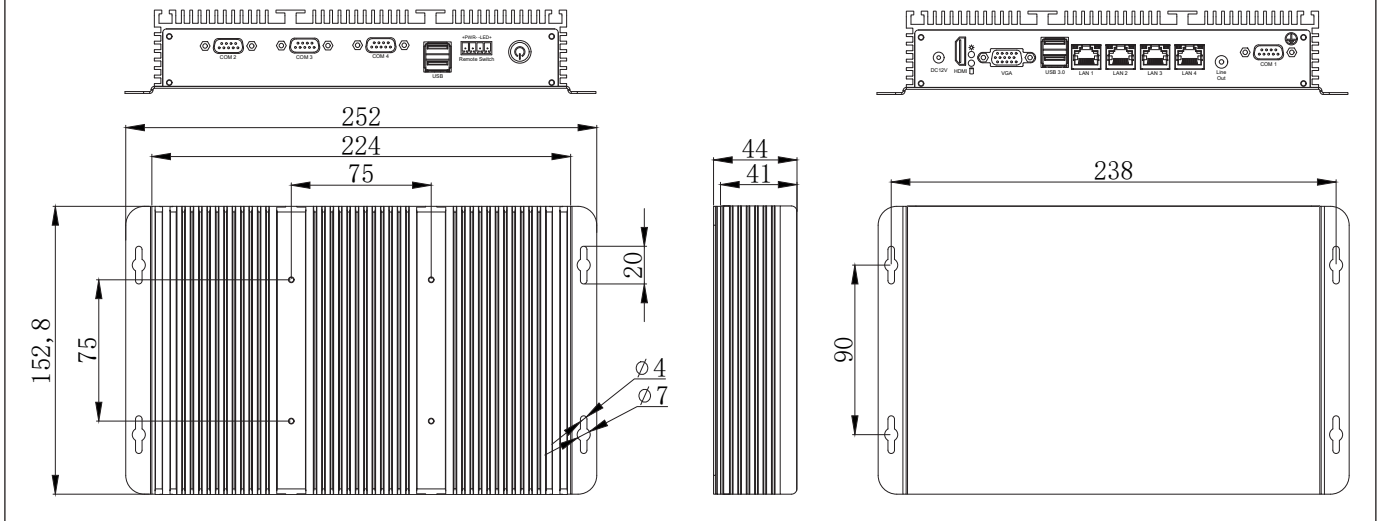
The actual appearance is subject to the final configuration.

Specifications

Model	S104-4L4C	
Supported OS	Win 7, Win 8, Win 10, Win11, Linux (Ubuntu, Dbian, Kali, CentOS, etc.); WES 7; Win 10 IoT	
CPU	Processors Info.	Intel® Core™ I5-4300U, Dual-core, 1.90 GHz Intel® Core™ I7-4600U, Dual-core, 2.10 GHz
RAM	SO-DIMM	1* SO-DIMM Socket, DDR3L-1333/1600 MHz, Up to 8GB
Storage	MSATA	1* mSATA3.0 slot on board (6Gb/s)
I/O INTERFACE	COM	1* RS232/422/485 header (COM2); 1* RS232/485 header (COM3); 4* RS232 header (COM1/4/5/6);
	Ethernet	4* Intel® i211 GbE LAN, support network wake-up/PXE function
	USB	2* USB2.0; 2* USB3.0; 2* USB 2.0 header
	Video	1* HDMI, support 3280x2000@60Hz; 1* VGA, support 1920x1200@60Hz;
	Audio	1* Line out; With 5.1 channels HD Audio Codec Realtek ALC662
	SIM	1* Built-in SIM card slot connected to Mini-PCle
	Power Supply	12V DC; 1* DC Jack (5.5* 2.5mm); Optional 9-30V DC PWR module with Terminal Block (2-Pin, 5.08mm)
	Other	1* Terminal Block (4-Pin, 3.81mm) with Remote Switch and Power Indicator 1* 8-bit GPIO header with 4 inputs and 4 outputs, Input voltage range: 0-5V;
Extended Capabilities	Additional Internal Interface	1* Full Size Mini-PCle with SIM card slot (PCIe+USB2.0, support Wi-Fi+BT/ 4G)
Environment	Operating Temperature	-10 ~ 50 °C w/ 0.7m/s Airflow
	Storage Temperature	-40 ~ 85 °C (-40~185 °F)
	Relative Humidity	40 °C @ 95%, Non-Condensing
Physical Characteristics	Dimensions	250* 44* 153 mm (W* H* D) (It has a higher version with 49mm solution)
	Net Weight	1.5 KG
Regulation	EMC	CE/FCC Class B, CCC
	Safety	CE-LVD, RoHS, CCC

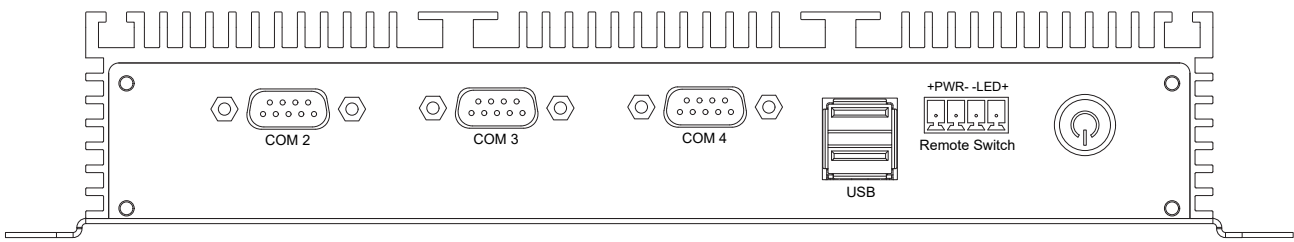
Dimension

Unit:mm

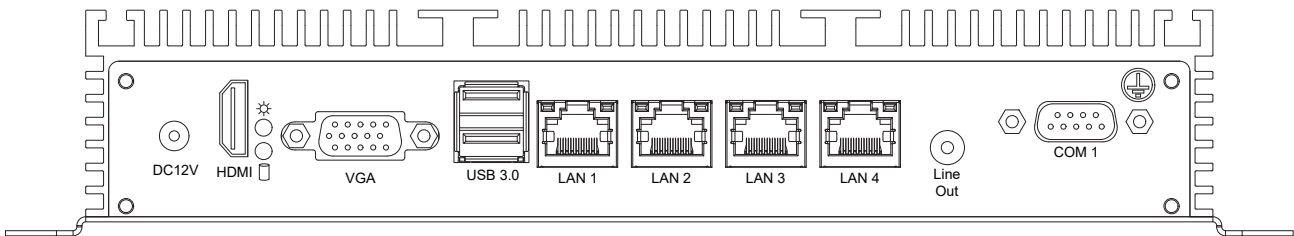


The actual appearance and dimensions are subject to the final configuration

Front Panel External I/O Mechanical Layout/Drawing



Rear Panel External I/O Mechanical Layout/Drawing



Ordering Information

SO-DIMM Socket	mSATA3.0 Slot	Full Size Mini-PCIe	COM headers	GbE LAN		
1	1	1	6	4		
USB 2.0	USB 3.0	HDMI	VGA	Line Out	SIM Card Slot	Power Supply
2	2	1	1	1	1	DC 12V

!! Note: Custom available for this unit, the actual data is subject to the final configuration

Processors Info & Available List

CPU	Code Name	Total Cores	Total Threads	Max Turbo Frequency	Base Frequency	Cache	TDP	Memory Types	Integrated Graphics
Intel® Core™ I5-4300U	Haswell	2	4	2.90 GHz	1.90 GHz	3 MB Intel® Smart Cache	15W	DDR3	Intel® HD Graphics 4400
Intel® Core™ I7-4600U	Haswell	2	4	3.30 GHz	2.10 GHz	4 MB Intel® Smart Cache	15W	DDR3	Intel® HD Graphics 4400

All products and company name listed are trademarks or trade names of their respective companies.

Packing list

Default Items	Qty
S104-4L4C	1
AC-to-DC Adapter	1
Power cable 3-pin 150cm	1

Options for default items

Optional Items	Qty
Power cable 3-pin 150cm, USA type	-
Power cable 3-pin 150cm, EU type	-
Power cable 3-pin 150cm, UK type	-
VESA mount kits	-

Optional accessories or internal modules for unit

Optional Items	Max Qty	Description
DC9-30V TO DC 12V PWR module	1	Phoenix Terminal connector, Power supply voltage conversion module, connected by header
Isolated 8-bit GPIO, 9-26V	1	Phoenix Terminal connector, connected by jumper
Isolated RS-232	6	DB9 or Phoenix Terminal connector, connected by header
Isolated RS-422	1	DB9 or Phoenix Terminal connector, connected by header
Isolated RS-485	2	DB9 or Phoenix Terminal connector, connected by header
Isolated 8-bit GPIO, 9-24V	1	Phoenix Terminal connector, connected by header
4G Module	1	Connected by Mini-PCIe interface
WiFi Module without AP mode	1	Connected by Mini-PCIe interface
WiFi Module with AP mode	1	Connected by Mini-PCIe interface
Dual channel CAN-Bus Module	1	Connected by Mini-PCIe interface

!! Note: As this product has expansion slots, please consult sales for the specific maximum number of expandable interfaces.