



- Support Windows / Linux System
- 10,4 to 21,5 inch true color liquid CRYSTAL display
- Resolution: 1024x768 or 1920x1080
- Support 6 x serial port, 4 x RS-232 + 2 x RS-485 / 422
- Power:DC 12-36V - IP65
- Touch screen adopts all-panels capacitive touch screen



The actual appearance is subject to the final configuration.

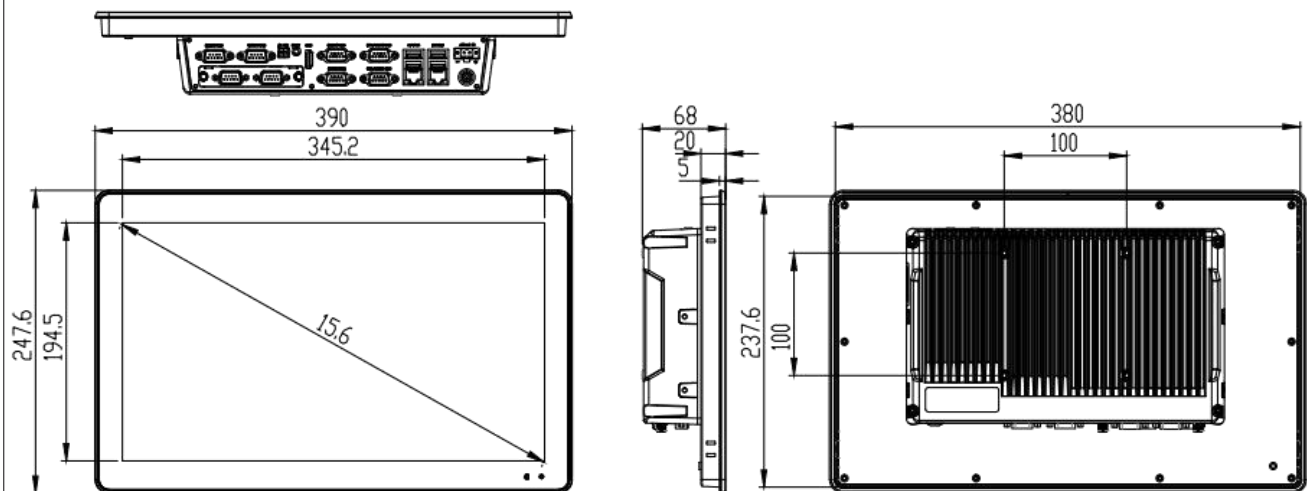
Specifications

MODEL	SV501_609-8000C-AIO		
Supported OS	Windows 7 / Windows 10 / Linux		
CPU	Model	Intel® Celeron J1900	Intel® Celeron J6412
		Intel® Core i3-4010U	Intel® Core i3-7010U
		Intel® Core i5-4260U	Intel® Core i5-6200U
		Intel® Core i5-7200U	Intel® Core i7-10210U
		Intel® Core i7-4650U	Intel® Core i5-7500U
		Intel® Core i7-10610U	
RAM	Type	DDR3	DDR4
Storage Devices	mSATA	1 x MSATA	
	SATA	1 x SATA	
LCD	Screen	10.4 to 21,5 inch TFT LED	
	Resolution	1024x768 or 1920x1080	
	Contrast	800:1	
	Brightness	350 cd / m ²	
	Largest Colorful	16M	
Screen Data	Type	Capacitive	Resistive
	Light transmittance	More than 95%	More than 85%
	Touch Life	50 million times	35 million times
	Response Time	<5ms	
	High temperature	85°C/1000hrs	
	Constant	85°C/90%RH/1000hrs	

I/O INTERFACE	Serial Port	4 x RS-232	2 x RS-485/422	
	USB	4 x USB 3.0		
	Video & Audio	RTLALC662 audio controller	1 x HDMI	1 x LINE-out
	Expansion card slot	Multifunctional expansion cards		
	Network Interfaces	2 x RJ-45		
	Power supply	DC 12-36 V		
Environment	Operating Temperature	-20 - 60°C		
	Storage Temperature	-30 - 80°C		
	Correlated humidity	10~95%@40°C		
	IP Grade	IP65 water and dust proo		
Physical Characteristics	Dimensions	262(L) x 209(W) x 67(H)mm		
	Panel cabinet	Aluminum alloy		
	Weight	3 Kg		
Regulation	EMC	CE, FCC, RoHS, EN50155, EN60945		

Dimension

Unit:mm



The actual appearance and dimensions are subject to the final configuration

The actual appearance and dimensions are subject to the final configuration

Expansion Card Slot

Name	Configuration
Network module 1	2*RJ-45 card
Network module 2	4*RJ-45 card(support POE)
MINIPCIE Card	CAN card / M.2 NVME SSD / 5G module / 14 road GPIO
rd	2*RS-485 / 2*RS-232
Serial port module 1	2*RS-485 / 4*RS-232
Serial port module 2	Power-on support delayed power on, power off automatically when power off delay
Battery power management module	8 road / 16 road
Switching/analog	A 2.5-inch pull-out bay is available
Serial port module 1	4*RJ-45 / 4*RS-232+4*RS-485/232 / 2*PCI or 2*PCIE or 1*PCIE 16

Detaided Expansion Card



Optional internal modules for unit

Optional Items	Max Qty	Description
RAM	1	DDR III (4GB / 8GB) or DDR IIII (4GB / 8GB / 16GB)
MSATA	1	32GB / 64GB / 128 GB / 256GB / 512GB
SATA	1	120GB / 128GB / 240GB / 256GB / 480GB 512GB / 960 GB / 1TB
4G MODULE	1	4G+GPS
WIFI	1	7260an / 7260ac (with bluetooth function)

Processors Info & Available List

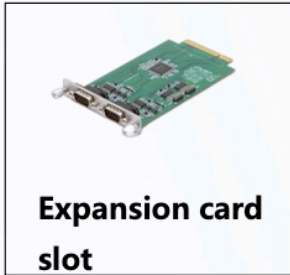
CPU	Total Cores	Total Threads	Max Turbo Frequency	Processor Base Frequency	Cache	Bus Speed	TDP	Memory Types
Intel® Celeron J1900	4	4	2.42GHz	2.0GHz	2 MB Intel® Smart Cache	-	10 W	DDR3L 1333
Intel® Celeron J6412	4	4	2.6GHz	2.0GHz	1.5 MB Intel® Smart Cache	-	10 W	LPDDR4
Intel® Core i3-4010U	2	4	-	1.7GHz	3 MB Intel® Smart Cache	5 GT/s	15 W	DDR3L 1333
Intel® Core i5-4260U	2	4	2.7GHz	1.4GHz	3 MB Intel® Smart Cache	5 GT/s	15 W	DDR3L 1333
Intel® Core i7-4500U	2	4	3.0GHz	1.8GHz	4 MB Intel® Smart Cache	5 GT/s	15 W	DDR3L 1333
Intel® Core i3-7010U	2	4	-	2.4GHz	3 MB Intel® Smart Cache	4 GT/s	15 W	DDR4-2133
Intel® Core i5-6500U	2	4	2.8GHz	2.3GHz	3 MB Intel® Smart Cache	4 GT/s	15 W	DDR4-2133
Intel® Core i7-7500U	2	4	3.5GHz	2.7GHz	4 MB Intel® Smart Cache	4 GT/s	15 W	DDR4-2133
Intel® Core i5-8260U	4	8	3.9GHz	1.6GHz	6 MB Intel® Smart Cache	4 GT/s	15 W	DDR4-2400
Intel® Core i5-10210U	4	8	4.2GHz	1.6GHz	6 MB Intel® Smart Cache	4 GT/s	15 W	DDR4-2666
Intel® Core i7-10610U	4	8	4.9GHz	1.8GHz	8 MB Intel® Smart Cache	4 GT/s	15 W	DDR4-2666

All products and company name listed are trademarks or trade names of their respective companies.

Packing List

Default Items	Qty
SV501_609-8000C-AIO	1

Detailed Modules



All products and company name listed are trademarks or trade names of their respective companies.