

S103-2L2C



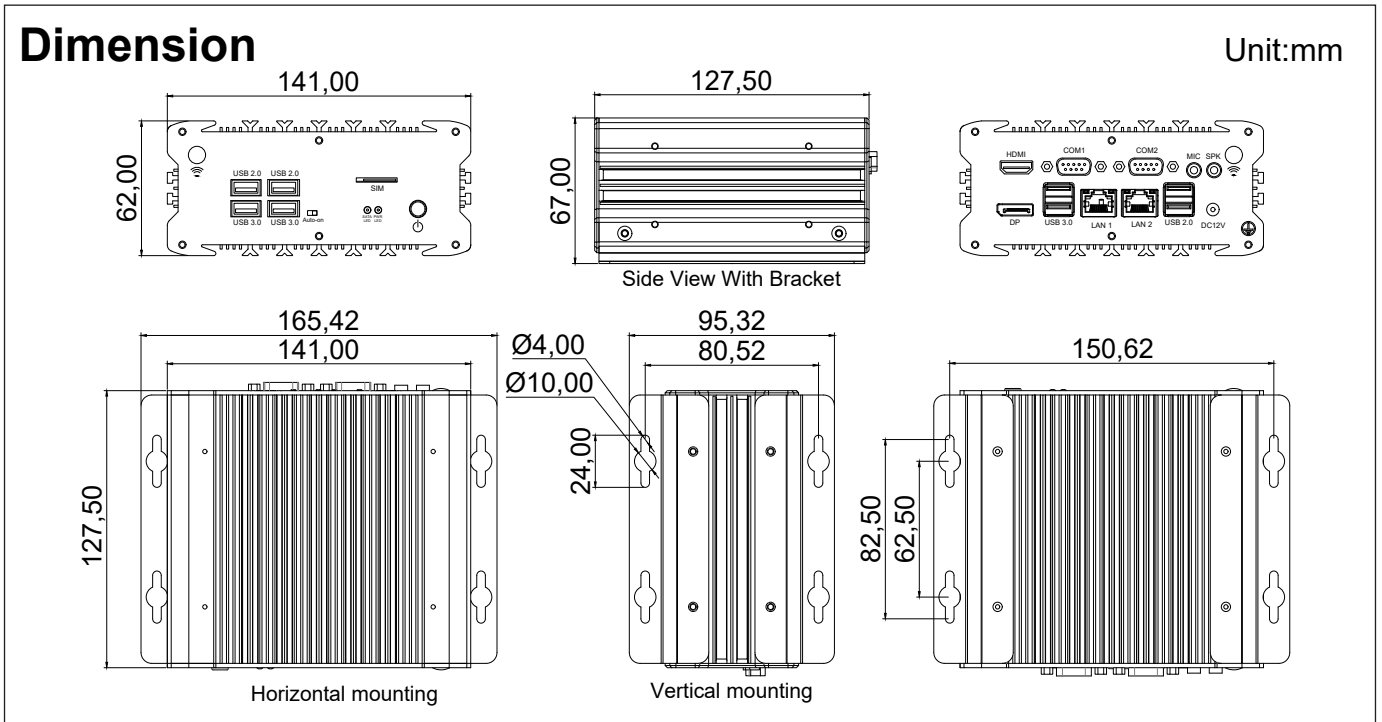
- Full aluminum alloy anti-interference structure
- Modular parts design with strong scalability
- Fully enclosed with fanless cooling system
- Cable-free design for better vibration resistance
- Scientific and reasonable interface layout
- Double board design with diverse interfaces



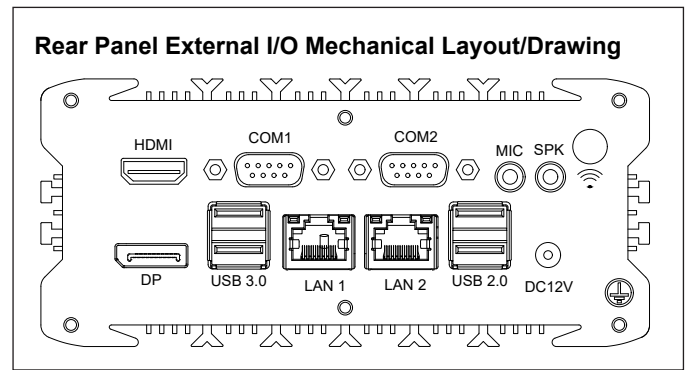
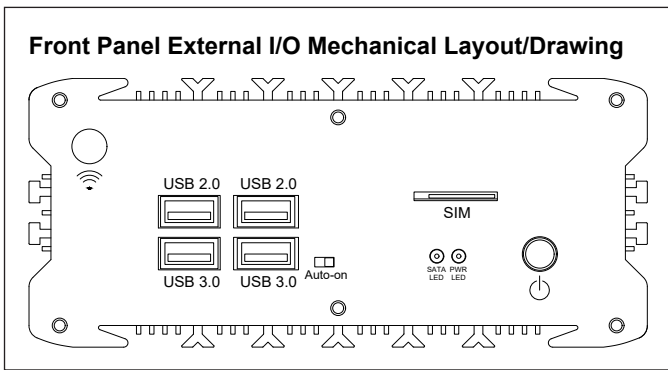
The actual appearance is subject to the final configuration.

Specifications

MODEL	S103-2L2C				
Supported OS	Win 7, Win 8, Win 10, Linux (Ubuntu, Debian, Kali, CentOS, etc.); WES 7; Win 10 IoT				
CPU	Model	Intel® Core™ I5-6200U	Intel® Core™ I5-8265U	Intel® Celeron® 5205U	Intel® Core™ I5-10210U
RAM	Type & No.	1* DDR4 SO-DIMM Socket	2* DDR4 SO-DIMM Socket	2* DDR4 SO-DIMM Socket	2* DDR4 SO-DIMM Socket
	Frequency	2133 MHz	2400 MHz	2400 MHz	2666 MHz
	Capacity	Up to 32GB	Up to 32GB	Up to 64GB	Up to 64GB
Storage Devices	SATA	1* 2.5" SATA3.0 Bay on board (6Gb/s)			
	M.2	1* M.2 2280 M-key slot (SATA3.0 only)			
I/O INTERFACE	COM	2* RS232/485, DB9 connector			
	Ethernet	2* Intel i211 GbE LAN	2* RTL 8111H GbE LAN		
	USB	4* USB 2.0; 4* USB 3.0			
	Video	1* DP, support 4096x2304@60Hz, it can be changed to HDMI port, support 4096x2304@24Hz; 1* HDMI, support 4096x2304@24Hz			
	Audio	1* MIC, 1* SPK; With 5.1 channels HD Audio Codec Realtek ALC662			
	SIM	1* External SIM card slot connected to Mini-PCIe			
	Power supply	12V DC; 1* DC Jack (5.5* 2.5mm)			
	Other	1* Auto-On Switch			
Extended Capabilities	Additional Internal Interface	1* Full Size Mini-PCIe with SIM card slot (PCIe+USB2.0), 1* M.2 2230 E-key slot support WiFi+BT			
Environment	Operating Temperature	-10 ~ 55 °C w/ 0.7m/s Airflow			
	Storage Temperature	-40 ~ 85 °C (-40~185 °F)			
	Relative Humidity	40 °C @ 95%, Non-Condensing			
Physical Characteristics	Dimensions	141* 62* 127.5mm (W* H* D)			
	Net Weight	1.2 KG			
Regulation	EMC	CE/FCC Class B, CCC			
	Safety	CE-LVD, RoHS, CCC			



The actual appearance and dimensions are subject to the final configuration



Ordering Information

SO-DIMM Socket	2.5" SATA3.0 Bay	M.2 2280 M-key SATA Slot	M.2 2230 E-key slot	Full Size Mini-PCIe	RS232/ RS485	GbE LAN	
1 or 2	1	1	1	1	2	2	
USB 2.0	USB 3.0	HDMI	DP	MIC	SPK	External SIM Card Slot	Power Supply
4	4	1	1	1	1	1	DC 12V

Processors Info & Available List

CPU	Code Name	Total Cores	Total Threads	Max Turbo Frequency	Base Frequency	Cache	TDP	Memory Types	Integrated Graphics
Intel® Core™ i5-6200U	Skylake	2	4	2.80 GHz	2.30 GHz	3 MB Intel® Smart Cache	15W	DDR4	Intel® HD Graphics 520
Intel® Core™ i5-8265U	Whiskey Lake	4	8	3.90 GHz	1.60 GHz	6 MB Intel® Smart Cache	15W	DDR4	Intel® UHD Graphics 620
Intel® Celeron® 5205U	Whiskey Lake	2	2	-	1.90 GHz	2 MB	15W	DDR4	Intel® UHD Graphics
Intel® Core™ i5-10210U	Comet Lake	4	8	4.20 GHz	1.60 GHz	6 MB Intel® Smart Cache	15W	DDR4	Intel® UHD Graphics 620

All products and company name listed are trademarks or trade names of their respective companies.

Packing list

Default Items	Qty
S103-2L2C Unit	1
AC-to-DC Adapter	1
Wall mounting bracket	2
Power cable 3-pin 150cm	1

Options for default items

Optional Items	Qty
Power cable 3-pin 150cm, USA type	-
Power cable 3-pin 150cm, EU type	-
Power cable 3-pin 150cm, UK type	-
VESA mount kits	-
DIN Rail mount kits	-

Optional accessories or internal modules for unit

Optional Items	Max Qty	Description
AI Acceleration Card	1	13 TOPS, Connected by Mini-PCIe interface
4G Module	1	Connected by Mini-PCIe interface
WiFi Module without AP mode	1	Connected by Mini-PCIe interface or M.2 interface
WiFi Module with AP mode	1	Connected by Mini-PCIe interface
Dual channel CAN-Bus Module	1	Connected by Mini-PCIe interface

!! Note: As this product has expansion slots, please consult sales for the specific maximum number of expandable interfaces.