

SV700



- Made of sturdy and durable aluminum alloy front bezel + high strength cold rolled steel back case
- Industrial LCD panel, wide viewing angle, high nits, true color
- Fully sealed and fanless design
- Adopt multi-points PCAP touch panel, high sensitive and fast-response
- Full IP67 waterproof
- High performance motherboard, 7x24 continuous operation
- 3 Pin Phoenix terminal
- Shock proof. Impact Protection Rating: IK07
- Customized interface for vehicle use: CANBUS



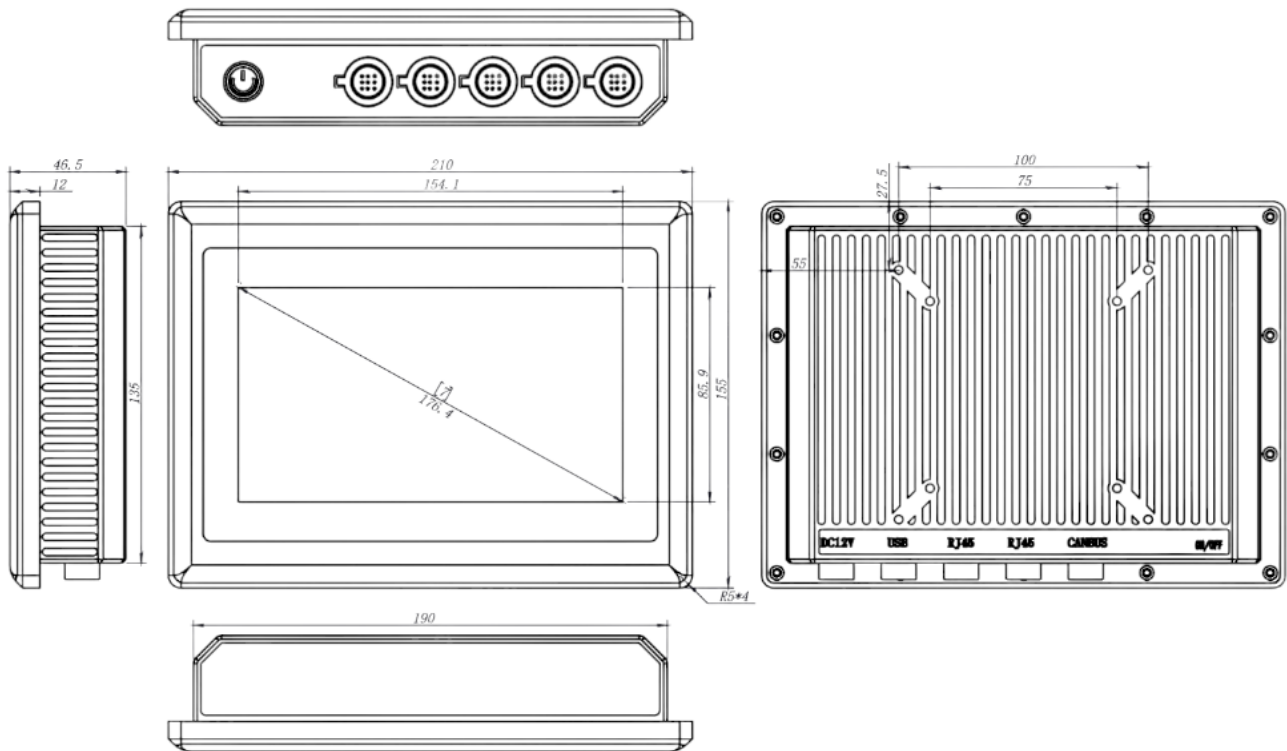
The actual appearance is subject to the final configuration.

Specifications

MODEL	SV700					
Supported OS	Support Windows 7/8/10, Linux, Ubuntu, Debian, etc.					
CPU	Model	Intel® Celeron J1900, quad core, 2.0GHz, fanless (Other CPU Optional)				
	Chipset	Intel ValleyView SSA-CUnit				
RAM	SO-DIMM	4G DDR3 (4G, 8G optional)				
	Hard Drive Capacity	64G SSD (32G, 128GB, 256GB optional) (500GB, 1TB HDD optional)				
Graphics	CPU Built-in Graphics	CPU Integrated graphics, HD Graphics and support 1080p HD photo quality				
I/O INTERFACE	Wireless Network	WIFI				
	Ethernet	1 x Realtek RTL 8111E Gigabit Ethernet controller				
	Phoenix	1 x 3 Pin Phoenix Terminal				
	USB	2 x USB				
	Video & Audio	1 x Realtek ALC662, High Definition Audio (HD)	2 x Lan	1 x Line In	1 x Line Out	
	Other	1 x CANBUS				
	Power supply	9V-36V				
Environment	Operating Temperature	-20 to 70°C				
	Storage Temperature	-30 to 80°C				
	Relative Humidity	5%~95% @ 40° C, non-condensing				
Physical Characteristics	Material	Aluminum Alloy				
	Dimensions	210 (L) x 155 (W) x 46.5 (H) mm				
	Net Weight	2kg				
Enclosure	Colors	Silver, Black, White, color can be customized				
	IP Grade	Front panel IP67 waterproof				
Regulation	EMC	CE, FCC, RoHS				

Dimension

Unit:mm



The actual appearance and dimensions are subject to the final configuration

Detailed Screen Information

Aspect Ratio	Screen Size	Touch Function	Resolution (H*V)	Brightness (cd/m ²)	Viewing Angle (Typ.)(CR>=10)	Operating Temp./ Storage Temp.
16:9	7"	Project Capacitive Touch (10 points)	1024*600	1000	80°/80°/80°/80° (R/L/U/D)	Operating: -20 to 70°C, Storage: -30 to 80°C

Support Colors	Luminousness	Surface Hardness	Impact Protection Rating	Device Dimension (W*H*D)	Net Weight	IP Grade	Power Supply
16.7M colors	90%	7H	IK07	210 * 155 * 46.5 mm	2 kg	IP67	9-36V DC

Processors Info & Available List

CPU	Total Cores	Total Threads	Max Turbo Frequency	Processor Base Frequency	Cache	Bus Speed	TDP	Memory Types
Intel® Celeron J1900	4	4	2.4GHz	2.0GHz	2 MB Intel® Smart Cache	-	10 W	DDR3L 1333

All products and company name listed are trademarks or trade names of their respective companies.

Packing List

Default Items	Qty
SV700 Unit	1
Power adapter	1
Waterproof LAN/USB cable/power cord	1
CANBUS cable	1

Options for Default items

Optional Items	Qty
Wall mounting brackets	1
Desk stand holder	1

Optional internal modules for unit

Optional Items	Max Qty	Description
Network	1	4 x 2.5GbE RJ45 Intel i225V
Hard Drive Capacity	1	128GB, 256GB SSD, 500GB, 1TB HDD
Touch Interface	1	RS232