

SV200_VM



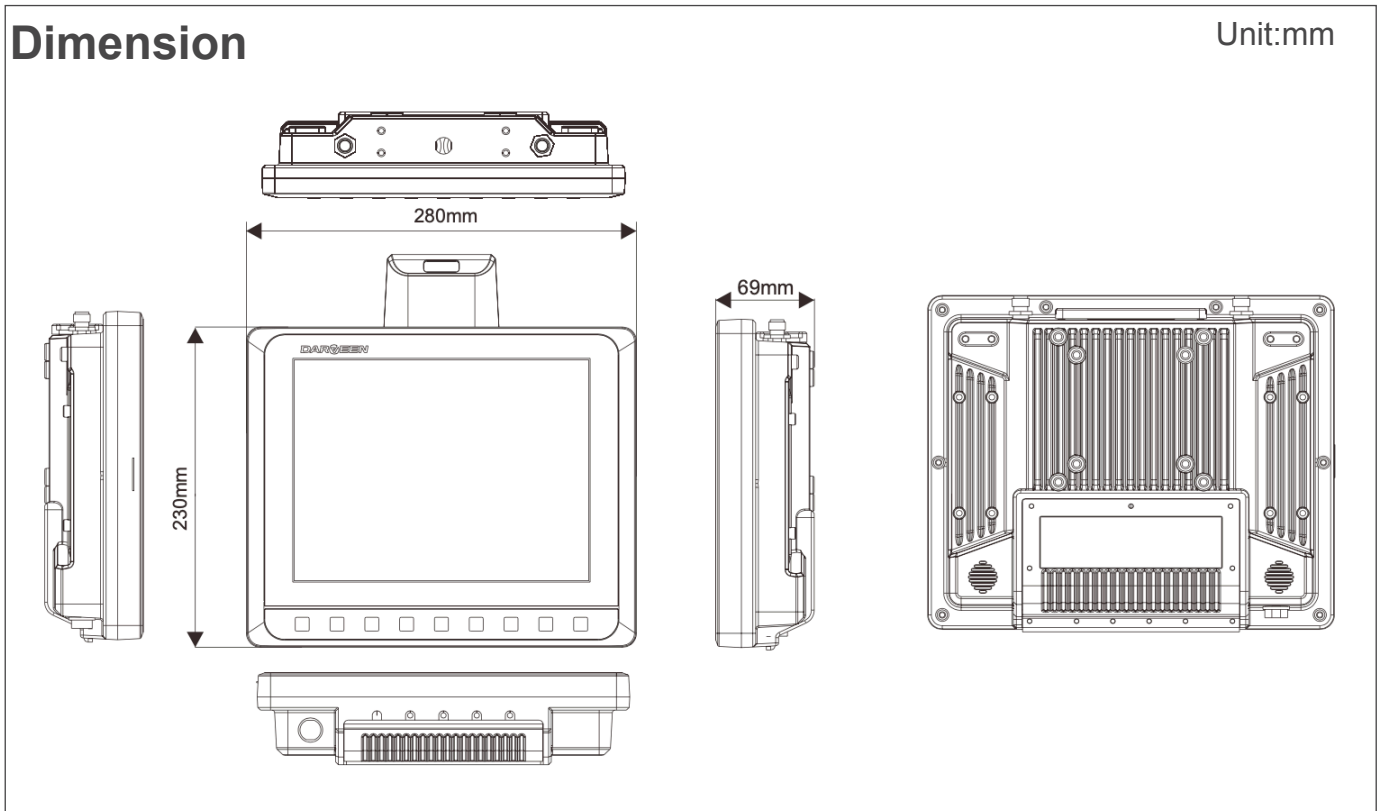
- Smart vehicle terminal designed for application in container terminal
- Integrated with 10.4-inch high- definition touch screen and optional Wi-Fi, LTE 4G/5G, GPS, Bluetooth and other wireless communication modules to provide real-time communication.
- Wide range 8-36V DC Power input
- High-performance 6-core processor, up to 1.8GHz
- Front panel intergrated function keys
- Rugged aluminum enclosure and fanless design
- Full IP68 dust/water protection
- VESA 75 and 100 standard mounting



Specifications

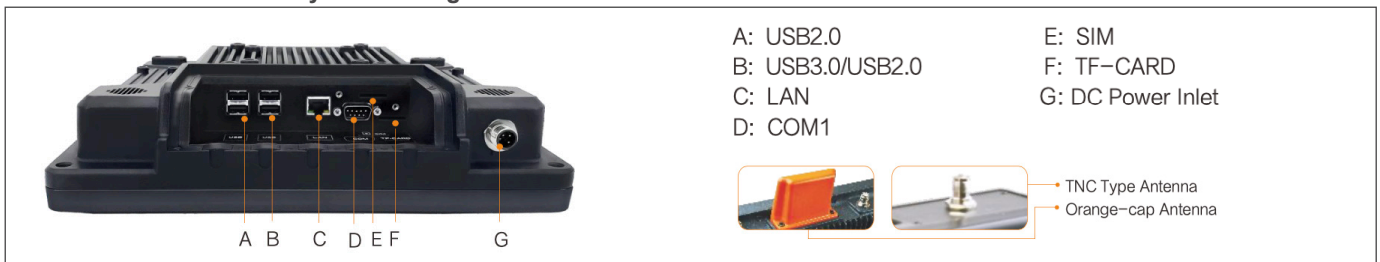
MODEL	SV200_VM		
Supported OS	Android 11		
Processor	Model	ARM Dual-core A72 + Quad-core A53, up to 1.8GHz	
RAM	Type	4GB LPDDR3	
	Flash Memory	32GB EMMC	
Storage	Expansion Slot	1 x TF Card, up to 128GB	
Display	Size	10.4-Inch	
	LCD panel	Industry Grade	
	Resolution(H x V)	1024 x 768	
	Brightness	450cd/m2	
	Backlight	LED Backlight	
	Touchscreen	Capacitive	
I/O INTERFACE	COM Port	1 x RS232	
	Wireless Network	WIFI/Bluetooth Optional	
	Ethernet	1 x 1000M RJ45	
	USB	1 x USB3.0	1 x USB OTG
	SIM	1 x NANO-SIM card slot	
	Speaker	2 x 8Ω/2W	
	Button	Power on/off, Brightness +/- F1-F6 Function	
	Power supply	8~36VDC - Power Consumption: 10W typ.	

Wireless	WLAN	802.11 a/b/g/n/ac (2.4G/5G)
	WWAN	4G LTE FDD/TDD, TD_SCDMA/WCDMA, CDMA/GSM 5G NR/NSA/SA, LTE FDD/TDD, WCMA (Optional)
	GPS	GPS/GLONASS/BeiDou/QZSS/Galileo/SBAS (Optional)
	Bluetooth	Bluetooth V4.2
Environment	Operating Temperature	-30 to 50°C
	Storage Temperature	-30 to 70°C
	Relative Humidity	10%~90% @ 30° C, Non-condensing
	IP Protection Level	IP 68
	Standard Mounting	VESA 75/100
	Testing standard	MIL-STD 810G
Physical Characteristics	Dimensions	278 (L) x 229 (W) x 68 (H) mm
	Net Weight	3.2 Kg
Regulation	EMC	CE, FCC, RoHS



The actual appearance and dimensions are subject to the final configuration.

External I/O Mechanical Layout/Drawing



All products and company name listed are trademarks or trade names of their respective companies.

Detailed Information

Screen Size	Touch Function	Resolution (H*V)	Brightness (cd/m ²)	LCD panel	Backlight
10.4 Inch	Capacitive	1024 x 768	450cd/m ²	Industry Grade	LED Backlight

COM Port	USB	Ethernet	SIM	Device Dimension (W*H*D)	Net Weight	IP Grade	Power Supply
1 x RS232	1 x USB3.0 - 3 x USB2.0	1 x 1000M RJ45	1 x SIM Card Slot	280 x 230 x 69 mm	1.8 Kg	IP65	8~36VDC

Processors Info & Available List

CPU	Total Cores	Total Threads	Max Turbo Frequency	Processor Base Frequency	Cache	Bus Speed	TDP	Memory Types
ARM Dual-core A72	2	-	-	1.8GHz	-	-	-	LPDDR3
ARM Quadl-core A53	4	-	-	1.8GHz	-	-	-	LPDDR3

Packing List

Deafult Items	Qty
SV200_VM Unit	1
Certificat	1
Warranty Card	1

Options for Default items

Optional Items	Max Qty	Description
Keyboard Mounting Bracket	1	

Additional Images

