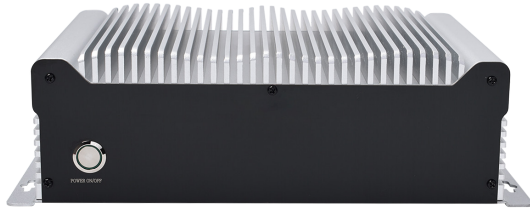


- Supports Intel® 10 /11th LGA1200 Socket Comet Lake-S Processor
- Optional equipped with Intel® Q470E chipset to support vPRO
- Aluminum alloy anti-interference enclosed fanless chassis
- Support triple independent displays with 2\* HDIM and 1\* Display port
- Rich IO interface provide versatile expansion
- Original wide voltage support more stable than transform module



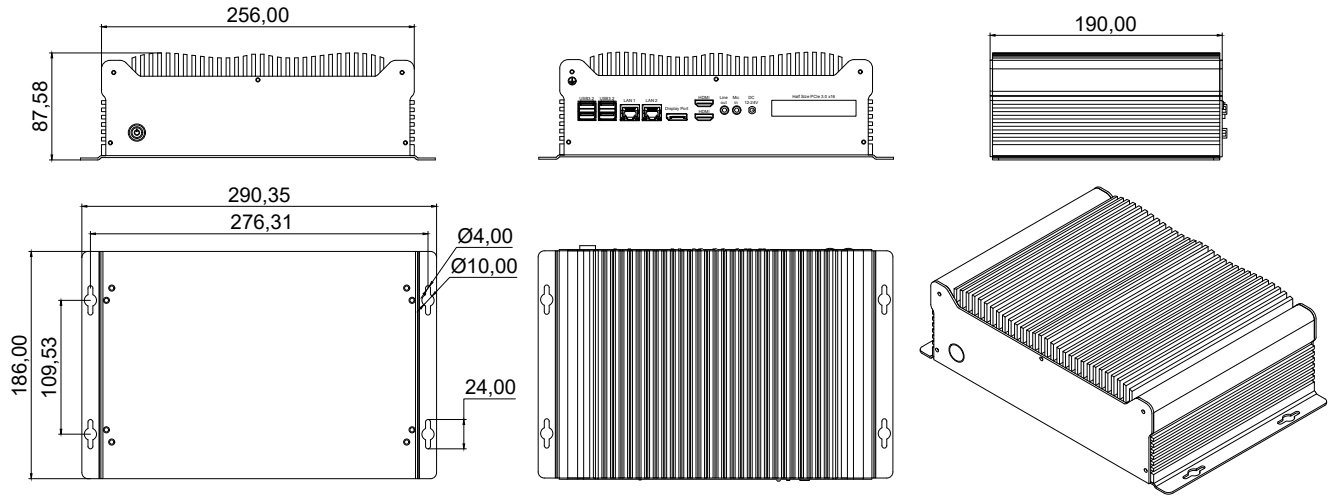
The actual appearance is subject to the final configuration.

## Specifications

|                                 |   |   |  |
|---------------------------------|---|---|--|
| <b>Model</b>                    | S603  |   |  |
| <b>Supported OS</b>             | Win 7, Win 8, Win 10, Win 11, Linux (Ubuntu, Debian, Kali, CentOS, etc.); WES 7; Win 10 IoT |   |  |
| <b>Chipset</b>                  | Model   | Intel® H470 Chipset   | Intel® Q470E Chipset                       |
|                                 | vPRO Tech   | Non-supported   | Supported                                  |
| <b>CPU</b>                      | Socket  | Intel® Desktop Processors Socket LGA1200  |  |
|                                 | Series & TDP  | 10th Gen. Intel® Core™ i9 / i7/ i5 /i3, Max. 65W TDPs   |  |
|                                 | Graphic   | Intel® UHD Graphics 630   |  |
| <b>RAM</b>                      | SO-DIMM   | 2* Dual-CH DDR4 2933/ 2666 MHz SO-DIMM Socket, Capacity up to 64GB;<br>(Core® i9/ i7 CPUs support DDR4 up to 2933 MHz; Core® i5/ i3 CPUs support DDR4 up to 2666 MHz)       |  |
| <b>Storage Device</b>           | SATA  | 1* SATA3.0 connector (6Gb/s), support RAID with M.2 SATA port   |  |
|                                 | M.2   | 1* M.2 (NGFF) 2280 M-key slot, support PCIe4 Gen.3 NVMe/ SATA3.0 SSD  |  |
| <b>I/O Interface</b>            | COM   | 4* COM headers (COM1/COM2, support RS232/422/485; COM3/COM4, support RS232)   |  |
|                                 | Ethernet  | 1* Intel i225LM 2.5GbE, 1* Intel i219LM GbE   | 1* Intel i225LM 2.5GbE, 1* Intel i219V GbE |
|                                 | USB   | 4 * USB3.2 (Gen.2, 6Gb/s) ; 2* USB3.2 header (Gen.1, 5Gb/s) , 4* USB2.0 header (480Mb/s)  |  |
|                                 | Video   | 2 * HDMI 1.4 (Max Resolution: 4096x2160 @60Hz);<br>1* DP (Max Resolution: 4096x2304 @60Hz);<br>Support Triple Displays  |  |
|                                 | Audio   | 1* Mic-in, 1* Line-out; With 5.1 channels HD Audio Codec Realtek ALC662; 1* Audio Header  |  |
|                                 | SIM   | 1* Internal SIM card slot connected to M.2 B-key slot   |  |
|                                 | Power Supply  | 12V-28V DC; 1* DC Jack (5.5* 2.5mm)   |  |
|                                 | Other   | 1* 8-bit GPIO header with 4 inputs and 4 outputs, Input voltage range: 0-5V;  |  |
| <b>Extended Capabilities</b>    | Additional Internal Interface   | 1* Half Size PCIe16 slot (Suggest the PCIe card less than 25W Power)<br>1* M.2 2230 E-key slot (PCIe1/USB2.0) support CNVi<br>1 * M.2 3042/3052 B-key slot (USB3.0/PCIe x1) |  |
| <b>Environment</b>              | Operating Temperature   | -10 ~ 60 °C w/ 0.7m/s Airflow   |  |
|                                 | Storage Temperature   | -40 ~ 85 °C (-40~185 °F)  |  |
|                                 | Relative Humidity   | 40 °C @ 10%~95%, Non-Condensing   |  |
| <b>Physical Characteristics</b> | Dimensions  | 290.3* 87.58* 186 mm (W* H* D)  |  |
|                                 | Net Weight  | 3.9 KG  |  |
| <b>Regulation</b>               | EMC   | CE/FCC Class B, CCC   |  |
|                                 | Safety  | CE-LVD, RoHS, CCC   |  |

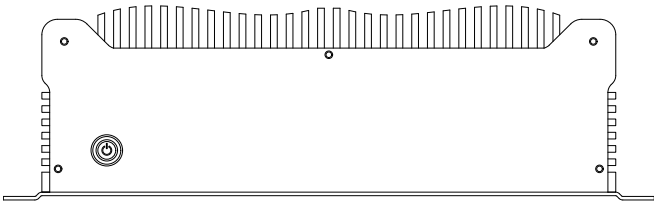
### Dimension

Unit:mm

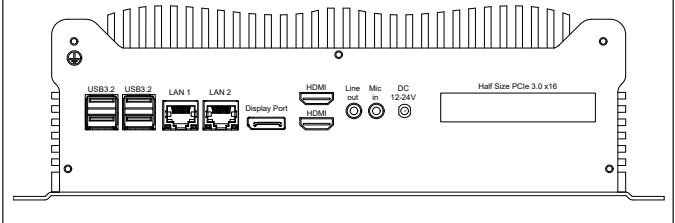


The actual appearance and dimensions are subject to the final configuration

#### Front Panel External I/O Mechanical Layout/Drawing



#### Rear Panel External I/O Mechanical Layout/Drawing



### Ordering Information

|                |                     |                |                     |                          |                       |                        |             |             |              |
|----------------|---------------------|----------------|---------------------|--------------------------|-----------------------|------------------------|-------------|-------------|--------------|
| SO-DIMM Socket | M.2 M-key 2280      | SATA           | M.2 2230 E-key Slot | M.2 3042/3052 B-key Slot | Half Size PCIe3.0 x16 | COM                    | 2.5 GbE LAN | 1.0 GbE LAN |              |
| 2              | 1                   | 1              | 1                   | 1                        | 1                     | 4                      | 1           | 1           |              |
| USB3.2 Gen.2   | USB3.2 Gen.1 Header | USB 3.0 Header | USB 2.0 Header      | HDMI                     | Display Port          | Internal SIM Card Slot | Line Out    | Mic In      | Power Supply |
| 4              | 3                   | 2              | 4                   | 2                        | 1                     | 1                      | 1           | 1           | DC12-28V     |

### Processors Info & Available List

| CPU                    | Code Name   | Total Cores | Total Threads | Max Turbo Frequency | Base Frequency | Cache                    | TDP  | Memory Types | Integrated Graphics            |
|------------------------|-------------|-------------|---------------|---------------------|----------------|--------------------------|------|--------------|--------------------------------|
| Intel® Core™ i3-10100T | Comet Lake  | 4           | 8             | 3.80 GHz            | 3.00 GHz       | 6 MB Intel® Smart Cache  | 35 W | DDR4         | Intel® UHD Graphics 630        |
| Intel® Core™ i5-10500T | Comet Lake  | 6           | 12            | 3.80 GHz            | 2.30 GHz       | 12 MB Intel® Smart Cache | 35 W | DDR4         | Intel® UHD Graphics 630        |
| Intel® Core™ i7-10700T | Comet Lake  | 8           | 16            | 4.50 GHz            | 2.00 GHz       | 16 MB Intel® Smart Cache | 35 W | DDR4         | Intel® UHD Graphics 630        |
| Intel® Core™ i5-11500T | Rocket Lake | 6           | 12            | 3.90 GHz            | 1.50 GHz       | 12 MB Intel® Smart Cache | 35 W | DDR4         | Intel® UHD Graphics 750, 32Eus |
| Intel® Core™ i7-11700T | Rocket Lake | 8           | 16            | 4.60 GHz            | 1.40 GHz       | 16 MB Intel® Smart Cache | 35 W | DDR4         | Intel® UHD Graphics 750, 32Eus |
| Intel® Core™ i3-10100  | Comet Lake  | 4           | 8             | 4.30 GHz            | 3.60 GHz       | 6 MB Intel® Smart Cache  | 65 W | DDR4         | Intel® UHD Graphics 630        |
| Intel® Core™ i5-10500  | Comet Lake  | 6           | 12            | 4.50 GHz            | 3.10 GHz       | 12 MB Intel® Smart Cache | 65 W | DDR4         | Intel® UHD Graphics 630        |
| Intel® Core™ i7-10700  | Comet Lake  | 8           | 16            | 4.80 GHz            | 2.90 GHz       | 16 MB Intel® Smart Cache | 65 W | DDR4         | Intel® UHD Graphics 630        |
| Intel® Core™ i5-11500  | Rocket Lake | 6           | 12            | 4.60 GHz            | 2.70 GHz       | 12 MB Intel® Smart Cache | 65 W | DDR4         | Intel® UHD Graphics 750, 32Eus |
| Intel® Core™ i7-11700  | Rocket Lake | 8           | 16            | 4.90 GHz            | 2.50 GHz       | 16 MB Intel® Smart Cache | 65 W | DDR4         | Intel® UHD Graphics 750, 32Eus |

All products and company name listed are trademarks or trade names of their respective companies.

## Packing list

| Default Items           | Qty |
|-------------------------|-----|
| S603 Unit               | 1   |
| AC-to-DC Adapter        | 1   |
| Power cable 3-pin 150cm | 1   |

## Options for default items

| Optional Items                    | Qty |
|-----------------------------------|-----|
| Power cable 3-pin 150cm, USA type | -   |
| Power cable 3-pin 150cm, EU type  | -   |
| Power cable 3-pin 150cm, UK type  | -   |
| Swappable Hard-Drive Bracket Kit  | -   |

## Optional accessories or internal modules for unit

| Optional Items                | Max Qty | Description                               |
|-------------------------------|---------|---|
| AI Acceleration Card          | 6       | 26 TOPS, Connected by M.2/ PCIe interface |
| 4G Module                     | 1       | Connected by M.2 interface                |
| 5G Module                     | 1       | Connected by M.2 interface                |
| WiFi Module without AP mode   | 1       | Connected by M.2 interface                |
| Dual channel CAN-Bus Module   | 4       | Connected by PCIe/M.2 interface           |
| Fiber Ethernet Expansion Card | 1       | Connected by PCIe interface               |

!! Note: As this product has expansion slots, please consult sales for the specific maximum number of expandable interfaces.