

S105-6L4C



- Isolated RS232/485 with strong anti-interference capability
- Multi PoE Gigabit LAN support protocol IEEE802.3af
- Full aluminum alloy anti-interference structure
- Modular parts design with strong scalability
- Fully enclosed with fanless cooling system
- Cable-free design for better vibration resistance
- Scientific and reasonable interface layout
- Double board design with diverse interfaces
- Multiple mounting options available



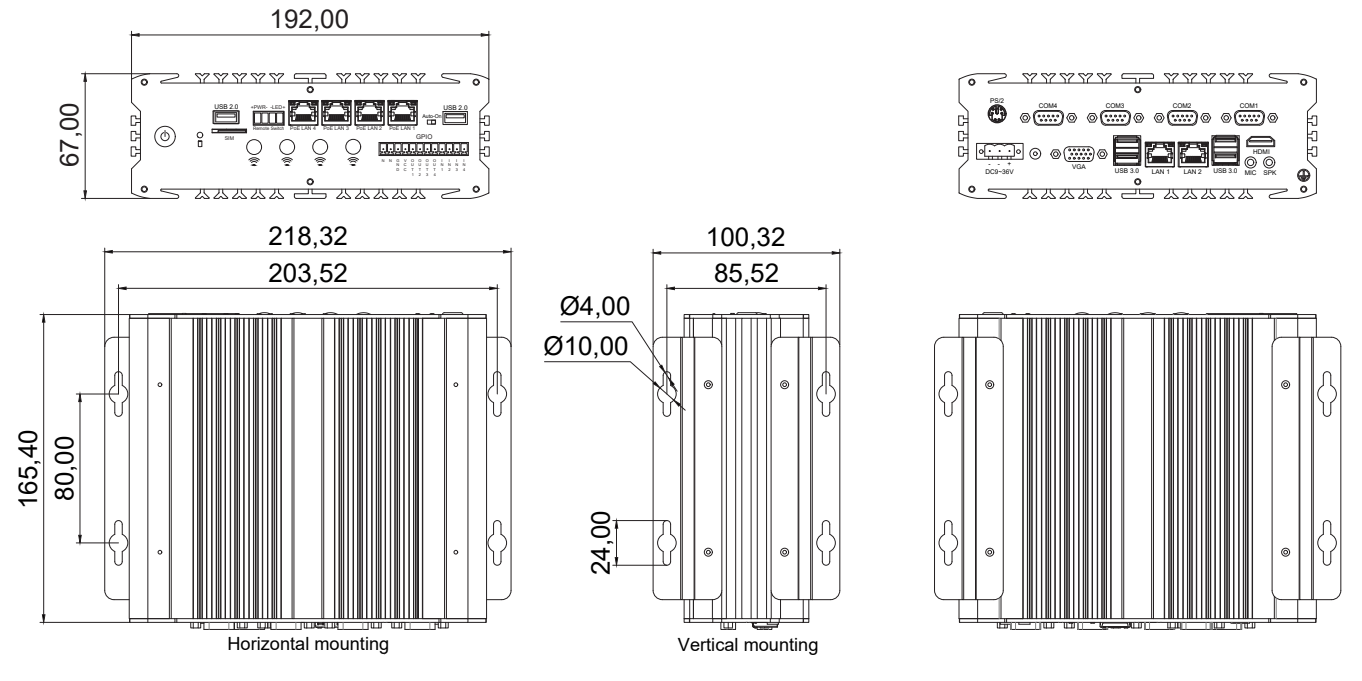
The actual appearance is subject to the final configuration.

Specifications

Model	S105-6L4C			
Supported OS	Win 7, Win 8, Win 10, Win11, Linux (Ubuntu, Dibian, Kali, CentOS, etc.); WES 7; Win 10 IoT			
CPU	Series/ Model	4th~5th Gen. Intel® Core™ Processor	6th~10th Gen. Intel® Core™ Processor Intel® Celeron® 3865U/ 5205U	11th Gen. Intel® Core™ Processor Intel® Celeron® 6305E
	TDP	Up to 15W	Up to 15W	Up to 28W
RAM	Type & Qty	1* SO-DIMM Socket	2* SO-DIMM Socket	2* SO-DIMM Socket
	Frequency	DDR3L-1333/1600 MHz	DDR4-2133/2400 MHz	DDR4-3200 MHz
	Capacity	Up to 8GB	Up to 32GB	Up to 64GB
Storage Device	SATA	1* 2.5" SATA3.0 Bay on board (6Gb/s)		
	MSATA	1* mSATA3.0 slot on board (6Gb/s)		
I/O Interface	COM	4* Isolated DB9 COM Ports with TVS protection (COM1-4, support RS232/485, switchable by jumper); 2* Internal COM headers on board (COM5-6, RS232)		
	Ethernet with PoE	4* 1.0 GbE PoE LAN, Intel i211, support IEEE802.3af		
	Ethernet without PoE	2* 1.0 GbE LAN, Intel i211/i210, RJ45 only (Only Intel® Core™ i3-5020U is working with intel i210 GbE LAN)		2* 2.5 GbE LAN, Intel i225, RJ45
	USB	2* USB3.0; 4* USB2.0; 1* Internal USB2.0	4* USB3.0; 2* USB2.0 1* Internal USB 2.0	2* USB3.0; 4* USB2.0; 1* Internal USB2.0
	Video	1* HDMI, Support 4096x2304@24Hz; 1* VGA, Support 1920x1200@60Hz;	1* HDMI, Support 4096x2304@24Hz; 1* VGA, Support 1920x1200@60Hz;	1* HDMI, Support 4096x2304@60Hz; 1* VGA, Support 1920x1200@60Hz;
	Audio	1* MIC, 1* SPK; With 5.1 channels HD Audio Codec Realtek ALC662	1* MIC, 1* SPK; With 5.1 channels HD Audio Codec Realtek ALC662	1* MIC, 1* SPK; With 7.1 channels HD Audio Codec Realtek ALC897
	SIM	1* External SIM card slot connected to M.2 B-key slot	1* External SIM card slot connected to M.2 B-key slot; Support optional 2nd SIM card slot connected to Mini-PCIe	
	Power Supply	9-36V DC; 1* Terminal Block (3-Pin, 5.08mm), 1* DC Jack (5.5* 2.5mm)		
	Others	1* 8-bit GPIO, Terminal Block (12-Pin, 3.81mm), 4-Inputs/4-Outputs, 0-5V Input Range; 1* Terminal Block (4-Pin, 3.81mm Pitch) with Remote Switch and Power Indicator; 1* Auto-On Switch; 1* PS/2		
	Extended Capabilities	Additional Internal Interface	1* M.2 3052 B-key slot connected to SIM card slot	1* Full Size Mini-PCIe (PCIe+USB2.0); 1* M.2 3052 B-key with SIM card slot
Environment	Operating Temperature	-10 ~ 55 °C w/ 0.7m/s Airflow		
	Storage Temperature	-40 ~ 85 °C (-40~185 °F)		
	Relative Humidity	40 °C @ 95%, Non-Condensing		
Physical Characteristics	Dimensions	192* 67* 165.43 mm (W* H* D)		
	Net Weight	2.5 KG (The actual weight is subject to the final configuration)		
Regulation	EMC	CE/FCC Class B, CCC		
	Safety	CE-LVD, RoHS, CCC		

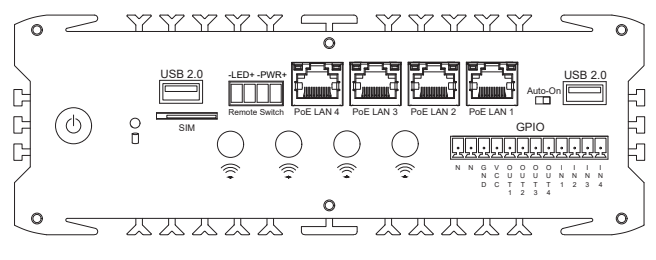
Dimension

Unit:mm

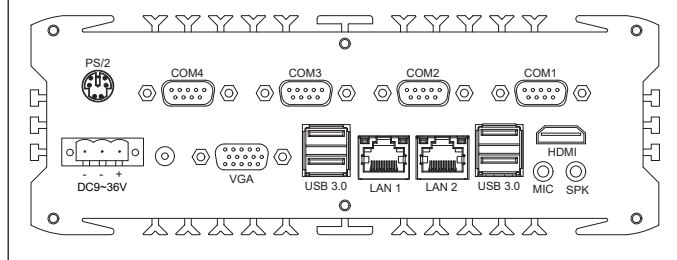


The actual appearance and dimensions are subject to the final configuration

Front Panel External I/O Mechanical Layout/Drawing



Rear Panel External I/O Mechanical Layout/Drawing



Ordering Information

SO-DIMM Socket	2.5" SATA3.0 Bay	mSATA3.0 Slot	M.2 3052 B-key Slot	Full Size Mini-PCIe	Isolated RS232/RS485	Internal COM	GbE LAN	USB2.0	USB3.0	Internal USB2.0
1 or 2	1	1	1	0 or 1	4	2	2	2 or 4	4 or 2	1

!! Note: The Mini-PCIe is not available when the device is equipped with 4th~5th Gen. Intel® Core™ & Celeron® processor

HDMI	VGA	MicIn	LineOut	PS/2	External SIM Card Slot	8-bit GPIO	Remote Switch Terminal	Power Supply
1	1	1	1	1	1	1	1	DC 9-36V

Packing list

Deafult Items	Qty
S105-6L4C	1
Wall mounting bracket	2
AC-to-DC Adapter	1
Power cable 3-pin 150cm	1

Options for default items

Optional Items	Qty
Power cable 3-pin 150cm, USA type	-
Power cable 3-pin 150cm, EU type	-
Power cable 3-pin 150cm, UK type	-
VESA mount kits	-
DIN Rail mount kits	-
External Fan Kit For 11th Gen. Solution	-

Processors Info & Available List

CPU	Code Name	Total Cores	Total Threads	Max Turbo Frequency	Base Frequency	Cache	TDP	Memory Types	Integrated Graphics
Intel® Core™ i5-4300U	Haswell	2	4	2.90 GHz	1.90 GHz	3 MB Intel® Smart Cache	15W	DDR3	Intel® HD Graphics 4400
Intel® Core™ i7-4600U	Haswell	2	4	3.30 GHz	2.10 GHz	4 MB Intel® Smart Cache	15W	DDR3	Intel® HD Graphics 4400
Intel® Core™ i3-5020U	Broadwell	2	4	-	2.20 GHz	3 MB	15W	DDR3	Intel® HD Graphics 5500
Intel® Celeron® 3865U	Kaby Lake	2	2	-	1.80 GHz	2 MB Intel® Smart Cache	15W	DDR4	Intel® HD Graphics 610
Intel® Celeron® 5205U	Comet Lake	2	2	-	1.90 GHz	2 MB	15W	DDR4	Intel UHD Graphics
Intel® Core™ i5-6360U	Skylake	2	4	3.10 GHz	2.00 GHz	4 MB Intel® Smart Cache	15W	DDR4	Intel® Iris® Graphics 540
Intel® Core™ i7-6650U	Skylake	2	4	3.40 GHz	2.20 GHz	4 MB Intel® Smart Cache	15W	DDR4	Intel® Iris® Graphics 540
Intel® Core™ i5-7200U	Kaby Lake	2	4	3.10 GHz	2.50 GHz	3 MB Intel® Smart Cache	15W	DDR4	Intel® HD Graphics 620
Intel® Core™ i5-7360U	Kaby Lake	2	4	3.60 GHz	2.30 GHz	4 MB	15W	DDR4	Intel® Iris Plus Graphics 640
Intel® Core™ i7-7600U	Kaby Lake	2	4	3.90 GHz	2.80 GHz	4 MB Intel® Smart Cache	15W	DDR4	Intel® HD Graphics 620
Intel® Core™ i3-8145U	Whiskey Lake	2	4	3.90 GHz	2.10 GHz	4 MB Intel® Smart Cache	15W	DDR4	Intel® UHD Graphics 620
Intel® Core™ i5-8265U	Whiskey Lake	4	8	3.90 GHz	1.60 GHz	6 MB Intel® Smart Cache	15W	DDR4	Intel® UHD Graphics 620
Intel® Core™ i7-8565U	Whiskey Lake	4	8	4.60 GHz	1.80 GHz	8 MB Intel® Smart Cache	15W	DDR4	Intel® UHD Graphics 620
Intel® Celeron® 6305E	Rocket Lake	2	2	-	1.80 GHz	4 MB Intel® Smart Cache	15W	DDR4	Intel UHD Graphics
Intel® Core™ i5-1135G7	Tiger Lake	4	8	4.20 GHz	2.40 GHz	8 MB Intel® Smart Cache	12-28W	DDR4	Intel® Iris Xe Graphics; 80Eus
Intel® Core™ i7-1165G7	Tiger Lake	4	8	4.70 GHz	2.80 GHz	12 MB Intel® Smart Cache	12-28W	DDR4	Intel® Iris Xe Graphics; 96Eus

All products and company name listed are trademarks or trade names of their respective companies.

Optional accessories or internal modules for unit

Optional Items	Max Qty	Description
AI Acceleration Card	1	13 TOPS, Connected by Mini-PCIe interface
Isolated 8-bit GPIO, 9-24V	1	Phoenix Terminal connector, connected by non-standard M.2 interface
Isolated 8-bit GPIO with current loading, 9-26V	1	Digital signal, Phoenix Terminal connector, connected by non-standard M.2 interface
Isolated 15-bit GPIO, 0-5V	1	Digital signal, Phoenix Terminal connector, connected by non-standard M.2 interface
Isolated 15-bit GPIO with 7-in & 8-out, 12-24V	1	Digital signal, Phoenix Terminal connector, connected by non-standard M.2 interface
4G Module	1	Connected by M.2 or Mini-PCIe interface
5G Module	1	Connected by M.2 interface
WiFi Module without AP mode	1	Connected by Mini-PCIe interface or Internal USB
WiFi Module with AP mode	1	Connected by Mini-PCIe interface
Dual channel CAN-Bus Module	1	Connected by Mini-PCIe interface
Ignition Switch Module	1	Phoenix Terminal connector, connected by internal power switch and 4-pin ATX power connector

!! Note: As this product has expansion slots, please consult sales for the specific maximum number of expandable interfaces.