

# SV200\_VM7i



- Smart vehicle terminal designed for application in container terminal
- Front panel intergrated numeric and function keys
- Wide range 8-36V DC Power input
- Flexible expansion capability for WiFi, Bluetooth, 4G/5G, GPS
- High-performance 6-core processor, up to 1.8GHz
- Front panel intergrated function keys
- Rugged aluminum enclosure and fanless design
- Full IP65 dust/water protection
- VESA 75 and 100 standard mounting

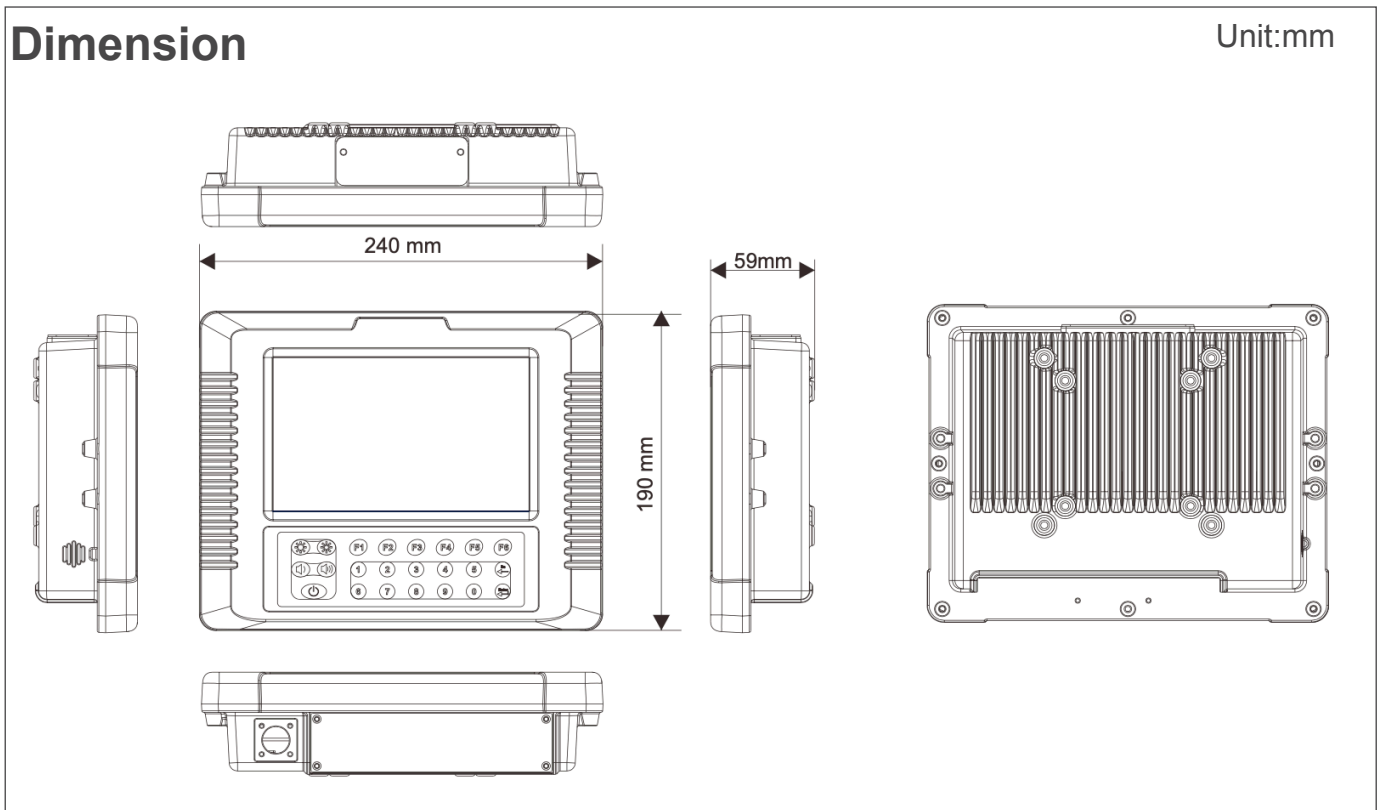


The actual appearance is subject to the final configuration.

## Specifications

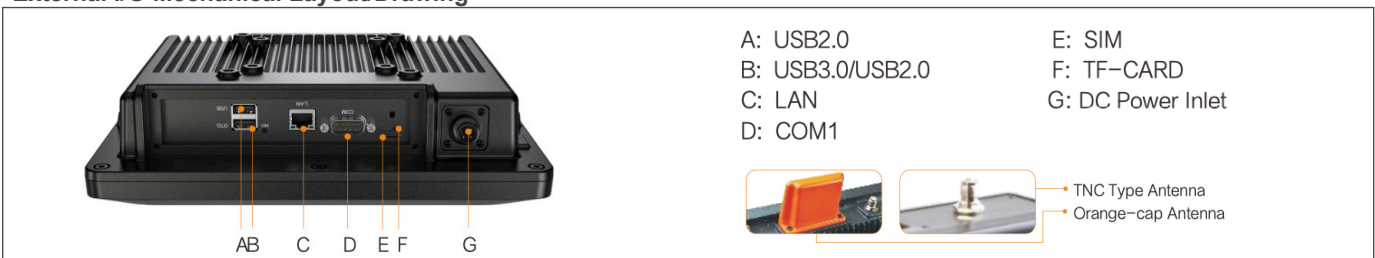
<b>MODEL</b>	SV200_VM7i		
<b>Supported OS</b>	Android 11		
<b>Processor</b>	Model	ARM Dual-core A72 + Quad-core A53, up to 1.8GHz	
<b>RAM</b>	Type	4GB LPDDR4	
	Flash Memory	32GB EMMC	
<b>Storage</b>	Expansion Slot	1 x TF Card, up to 128GB	
<b>Display</b>	Size	7-Inch	
	LCD panel	Industry Grade	
	Resolution(H x V)	800 x 480	
	Brightness	450cd/m2	
	Backlight	LED Backlight	
	Touchscreen	Capacitive	
<b>I/O INTERFACE</b>	COM Port	1 x RS232	
	Wireless Network	WIFI/Bluetooth Optional	
	Ethernet	1 x 1000M RJ45	
	USB	1 x USB	1 x USB / OTG
	SIM	1 x Nano-SIM	
	Speaker	2 x 8Ω/2W	
	Button	Power on/off, Brightness +/- F1-F6 Function	
	Power supply	8~36VDC - Power Consumption: 10W typ.	

Wireless	WLAN	802.11 a/b/g/n/ac (2.4G/5G)
	WWAN	4G LTE FDD/TDD, TD-SCDMA/WCDMA, CDMA/GSM
		5G NR/NSA/SA, LTE FDD/TDD, WCDMA (Optional)
	GPS	GPS/GLONASS/BeiDou/QZSS/Galileo/SBAS (Optional)
	Bluetooth	Bluetooth V4.2
Environment	Operating Temperature	-20 to 60°C
	Storage Temperature	-30 to 70°C
	Relative Humidity	10%~90% @ 30° C, Non-condensing
	IP Protection Level	IP65 (I/O interface must be closed)
	Standard Mounting	VESA 75/100
	Testing standard	MIL-STD 810G
Physical Characteristics	Dimensions	240 (L) x 190 (W) x 59 (H) mm
	Net Weight	1.8 Kg
Regulation	EMC	CE, FCC, RoHS



The actual appearance and dimensions are subject to the final configuration

#### External I/O Mechanical Layout/Drawing



All products and company name listed are trademarks or trade names of their respective companies.

## Detailed Information

Screen Size	Touch Function	Resolution (H*V)	Brightness (cd/m <sup>2</sup> )	LCD panel	Backlight
7-Inch	Capacitive	800 x 480	450cd/m <sup>2</sup>	Industry Grade	LED Backlight

COM Port	USB	Ethernet	SIM	Device Dimension (W*H*D)	Net Weight	IP Grade	Power Supply
1 x RS232	1 x USB - 1 x USB / OTG	1 x 1000M RJ45	1 x Nano SIM Card	240 x 190 x 59 mm	1.8 Kg	IP65	8~36VDC

## Processors Info & Available List

CPU	Total Cores	Total Threads	Max Turbo Frequency	Processor Base Frequency	Cache	Bus Speed	TDP	Memory Types
ARM Dual-core A72	2	-	-	1.8GHz	-	-	-	LPDDR3
ARM Quadl-core A53	4	-	-	1.8GHz	-	-	-	LPDDR3

## Packing List

Deafult Items	Qty
SV200_VM7i Unit	1
Certificate	1
Warranty Card	1

## Options for Default items

Optional Items	Max Qty	Description
Keyboard Mounting Bracket	1	

## Additional Images

